

lifetime limited warranty

Your Drive brand product is warranted to be free of defects in materials and workmanship for the lifetime of the original consumer purchaser.

This device was built to exacting standards and carefully inspected prior to shipment. This Lifetime Limited Warranty is an expression of our confidence in the materials and workmanship of our products and our assurance to the consumer of years of dependable service.

In the event of a defect covered by this warranty, we will, at our option, repair or replace the device.

This warranty does not cover device failure due to owner misuse or negligence, or normal wear and tear. The warranty does not extend to non-durable components, such as rubber accessories, casters, and grips, which are subject to normal wear and need periodic replacement.

If you have a question about your Drive device or this warranty, please contact an authorized Drive dealer.



© 2006 Medical Depot, Inc. All rights reserved.
Drive is a trademark of Medical Depot, Inc.
Port Washington N.Y. 11050 USA Made in China

bath bench with back

item # 12021-4

drive
MEDICAL DESIGN & MANUFACTURING

www.drivemedical.com

assembly instructions

READ INSTRUCTIONS CAREFULLY BEFORE INSTALLING

1. Place assembled Bath Bench upside down on work surfaces shown in Figure 1.
2. Attach back support by sliding mounting tubes through aluminum extrusion mounts and lock into place with spring loaded push-pins.

Periodically check assembly for continued tightness.

NEVER USE BATH SAFETY SEAT IF ANY LOOSENESS IN THE ASSEMBLY IS NOTICED, AS PERSONAL INJURY MAY RESULT. SIT. DO NOT STAND ON THIS SEAT TO AVOID A POSSIBLE DANGEROUS FALL.

CAUTION: Maximum weight limitation for this product not to exceed 500 lbs.

NOTE: To maintain the beauty of the original finish, clean with mild soap and rinse with warm water. Wipe bath seat dry after each use.

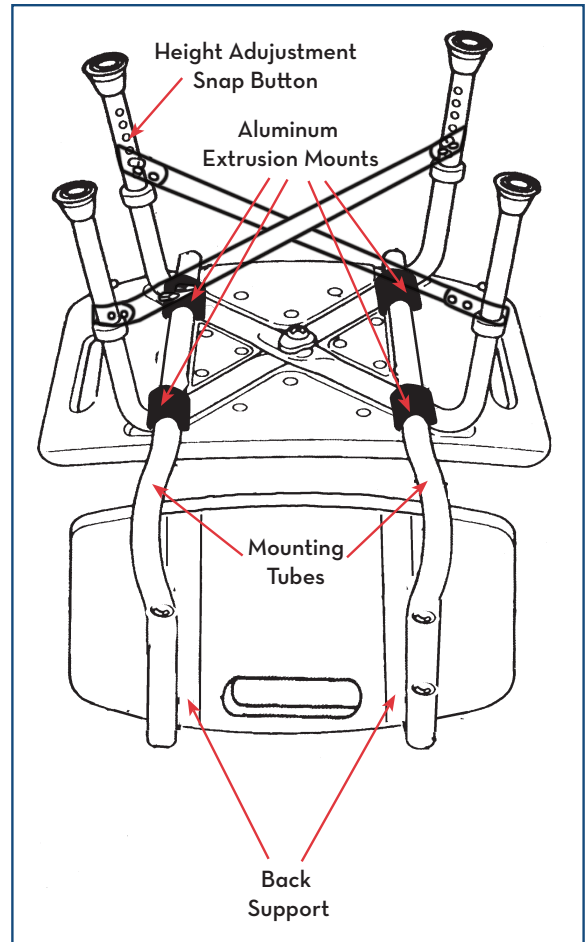


FIGURE 1