

# TRANSITIONS®



EZ-ACCESS®

Threshold ramps, mats, and plates

EZ-ACCESS® knows that a gentle slope can make a world of difference. TRANSITIONS® threshold solutions allow for a smooth ground-to-sill transition over doorway thresholds throughout your home. Reduce preventable trip hazards and make your home more comfortable and safe for mobility users.



## The TRANSITIONS® Advantage

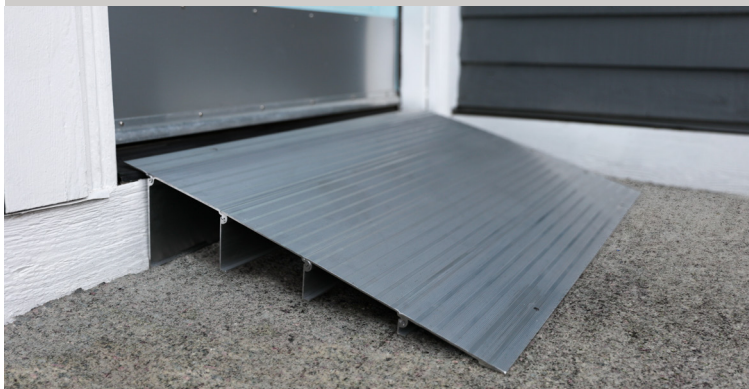
- Sturdy, seam-free surface makes TRANSITIONS ramps, mats, and plates the safe solution for wheelchair, scooter, walker, and cane users
- Attractive designs are available in multiple styles and materials to suit your needs and taste
- Slip-resistant tread and surfaces
- Durably designed for years of continued use
- Quick and easy setup and removal - installs in minutes so there's little-to-no disruption for you and your family
- Ideal for doorways, sliding glass doors, and raised landings
- Portable, convenient, and durable
- The entire line is backed by our lifetime warranty
- Made in the USA



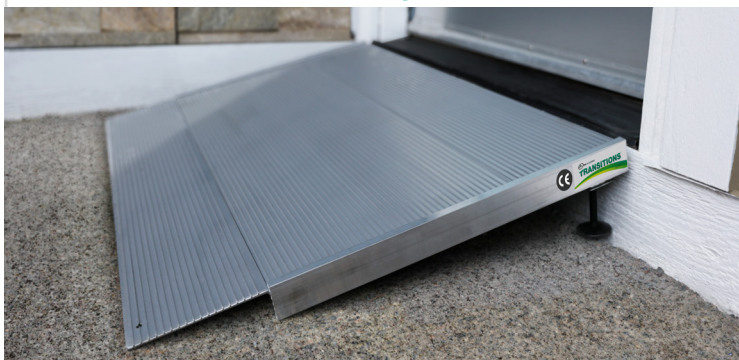
Visit [ezaccess.com](http://ezaccess.com) for product specifications

## TRANSITIONS® Modular Entry Ramp

- Modular design with interchangeable extensions can accommodate thresholds from 3/4 to 6-1/4 inches high
- Installation is easy with our hidden hinge ... simply add and remove extensions to accommodate your needs
- Pivoting flap attaches to the top of the ramp to provide 1/4" of additional adjustability
- Made of aluminum and features an extruded, slip-resistant surface for superior traction
- 34 inches wide
- 700-pound weight capacity



## TRANSITIONS® Angled Entry Ramp



- Swivel feet accommodate varying heights, angles, and surface types
- Three lengths are available (12, 24, and 36 inches) to accommodate thresholds ranging from 1-3/8 to 5-7/8 inches high
- Manufactured using high-strength aluminum that will not rust or corrode
- Features an extruded, slip-resistant surface for superior traction
- 36 inches wide
- 700-pound weight capacity

## TRANSITIONS® Angled Entry Mat



- This "welcome" mat - made using recycled rubber - is eco-friendly and can be used safely on nearly any surface
- Stands up well in harsh outdoor conditions
- Features beveled edges for cross-traffic access
- Available in 1-1/2 and 2-1/2 inch heights and can easily be trimmed or notched if needed
- Usable width of 36 inches (40-43 inches overall)
- 850-pound weight capacity
- Available in three colors: Black, Storm Grey, and Hazelnut Brown

## TRANSITIONS® Angled Entry Plate

- Formed aluminum construction for simple, one-step threshold navigation
- Three lengths are available (8, 10, and 12 inches) to accommodate thresholds up to 2 inches high
- Features an applied, slip-resistant surface for greater traction, even when wet
- 32 inches wide
- 700-pound weight capacity





# TRANSITIONS® Modular Entry Mat

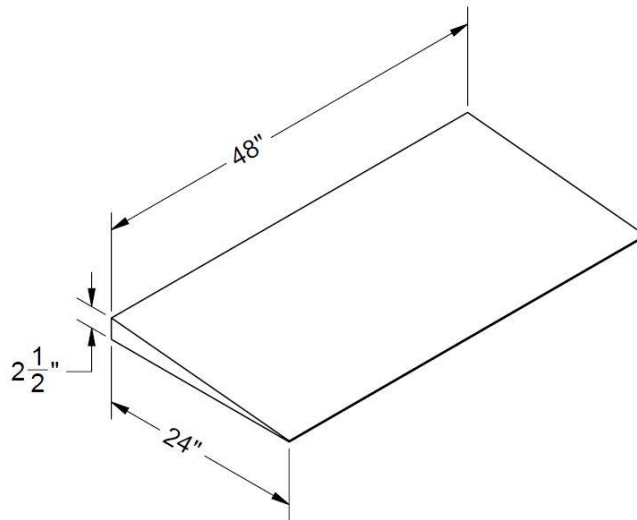
## Technical Specifications

MODEL	TMEM 2.5-1	TMEMR 2.25
MADE 100% RECYCLED RUBBER	✓	✓
SLIP-RESISTANT SURFACE	✓	✓
USABLE SIZE (H x L x W)	2.5" x 24" x 48"	2.25" x 24" x 24" per riser (2 each)
OVERALL SIZE (H x L x W)	2.5" x 24" x 48"	2.25" x 24" x 24" per riser (2 each)
WEIGHT*	40 lbs.	23.5 lbs. per riser (2 each)
WEIGHT CAPACITY (DO NOT EXCEED)	850 lbs.	850 lbs.
FOR WHEELCHAIRS & SCOOTERS	✓	✓
USAGE GUIDELINES (RISE)**	2.5"	Call Customer Service for Details ***
WARRANTY	Lifetime Limited	Lifetime Limited

\* Weights and dimensions are approximate and subject to change.

\*\* Consult your equipment's owner guide for proper degree of incline. Never exceed its recommendations.

### TMEM 2.5-1



### TMEMR 2.25

