



# PANTS **UP** EASY<sup>®</sup>

## Assembly & Installation Guide



**View our website for instruction videos!**

**CALL US: 1.844.726.8787**

**[www.pantsupeasy.com](http://www.pantsupeasy.com)**



# Assembly & Installation Guide

Thank you for your purchase. With proper care your Pants Up Easy system should provide many years of reliable service. Read all instructions thoroughly before beginning your assembly/installation.

*Warning: Use of this device for other than it's intended use may result in serious injury or death. See warranty for complete safety information, limitations and cautions. [www.pantsupeasy.com](http://www.pantsupeasy.com)*

## Getting started

Determine which product you have purchased and proceed to that section of this manual. (Note that our patented Pad Support System is a component of each of our products).

<b>Wall Mount Installed: WMI1501</b>	<b>Page 3</b>
<b>Toilet Model Freestanding: TMF1502</b>	<b>Page 12</b>
<b>Wheelchair Model Freestanding: WMF1503</b>	<b>Page 19</b>

Ensure you have all package contents and tools required before beginning. (Visit our web site for helpful videos). Complete your assembly and register your product online at [www.pantsupeasy.com](http://www.pantsupeasy.com)



# User Set-Up Instructions

Once your product is fully assembled please use the following steps to properly adjust your system. Improper set-up may result in discomfort during use.

**Figure 1:**  
**Sitting upright adjust top of Pad to user's shoulder level.**



**Figure 2:**  
**While in use Pads rotate approximately 45 degrees to complete the lift motion.**



*Note: To accommodate children and smaller people Reverse Installation may be required. See Page 5: Reverse Installation Figure 4 for instructions.*





**PANTS UP EASY®**

## Wall Model Installed



### The WMI-1501

*Special Note: The WMI-1501 requires a professional installation by a licensed contractor.*

#### WHATS INCLUDED:

1. 2ea Pants Up Easy Pad Support Arms
2. 2ea mounting brackets
3. 6ea mounting screws 3 1/8"
4. 1ea nut driver tip-size T30
5. 2ea Safety Stops

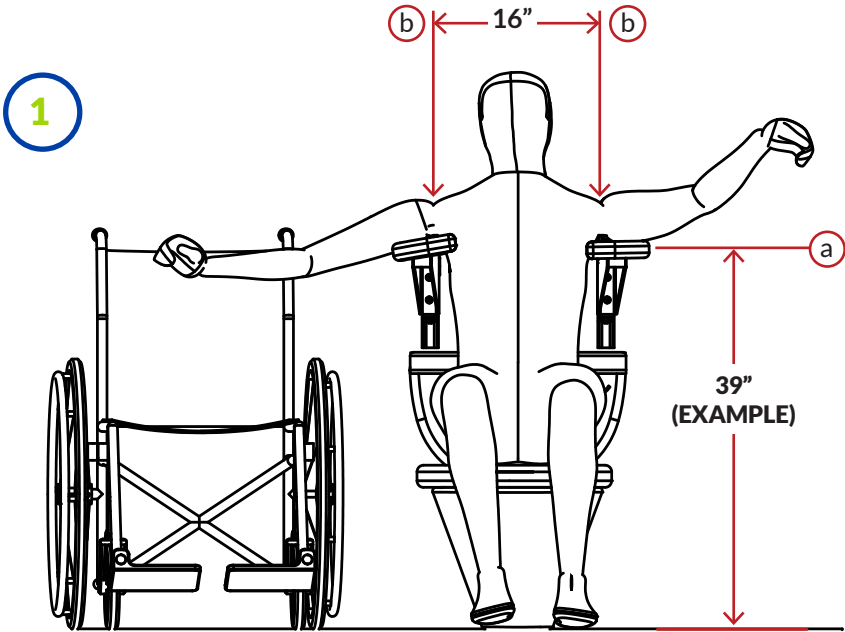
#### TOOLS REQUIRED:

1. Tools common to the general contractor trade



# WMI -1501 Installation Instructions

Example shown: wood frame construction



(Figure 3)

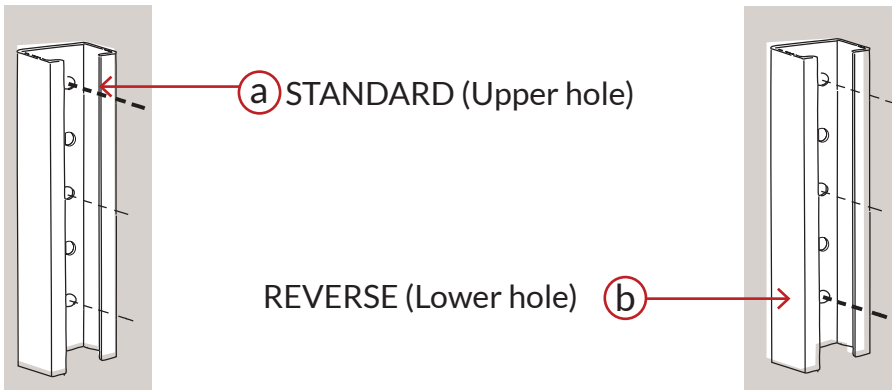
1. Identify the location of your planned installation: Behind a toilet or any other wall.
2. Measure from the floor to the top of the user's shoulder while the user is sitting in the most upright position with their arms down to their side, this will be the same height as arms out like **Figure 3**.
3. Mark this spot on the wall. (a) This will mark the location where the upper hole of the mounting bracket will be placed. (Standard Installation)
4. Measure the user from armpit to armpit, and make two vertical marks (b) centered on the toilet where the vertical blocking will be placed, the average is about 16". Extend the marks upward to at least 12".



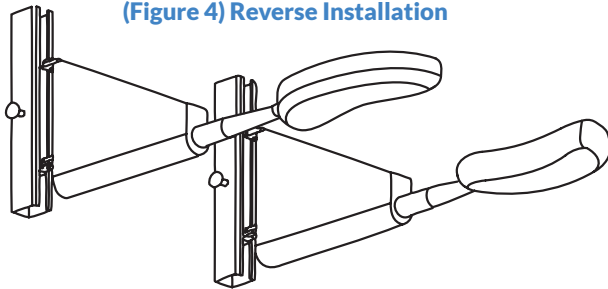
**a** If installed behind the toilet: Check to make sure the mounting bracket has clearance above the toilet tank by placing the bracket against the wall, locating your horizontal mark within the **upper hole** of the bracket. If there is clearance then proceed with Standard Installation Step 2. ( page 6)

**b** If bracket does not have clearance above the toilet tank It is acceptable to raise the bracket by no more than 1.5" If it clears proceed with Standard Installation Step 2 (page 6). If this does not provide necessary clearance then we recommend replacing the toilet with a lower tank height. If toilet replacement is not an option then **Reverse Installation** is available. In this instance the mark made earlier will locate the **lower hole** of each mounting bracket. Once the brackets are installed, each Pad Support Arm will be flipped 180 degrees, while also switching the sides from left to right and vice versa. Be sure the inward curve on the pad is facing the user.

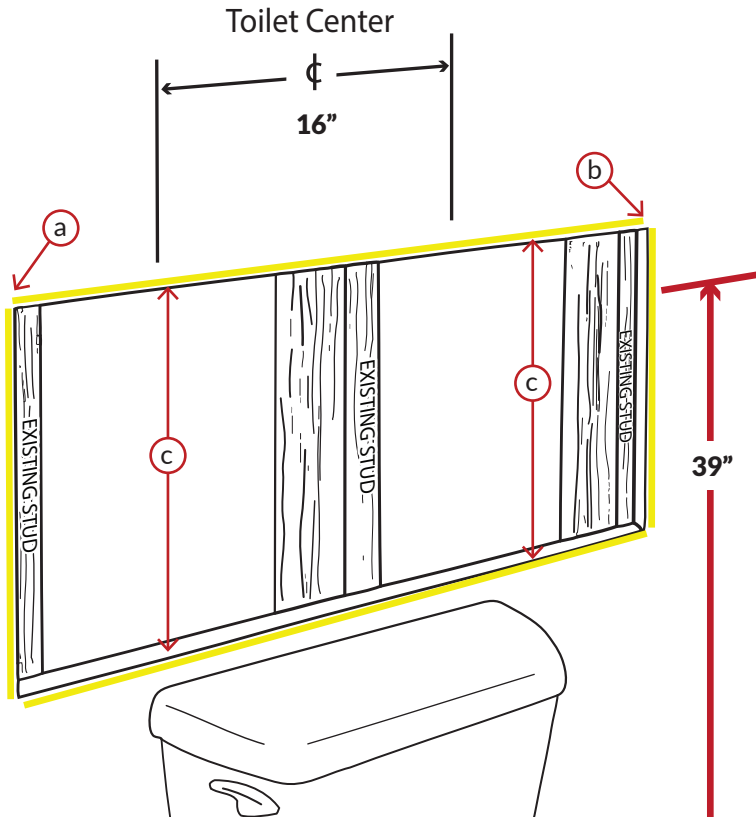
**Reverse Installation (See Figure 4.) To Accommodate children and smaller people, turning the pad support system in the upside-down configuration in the Standard bracket location may be required.**



**(Figure 4) Reverse Installation**



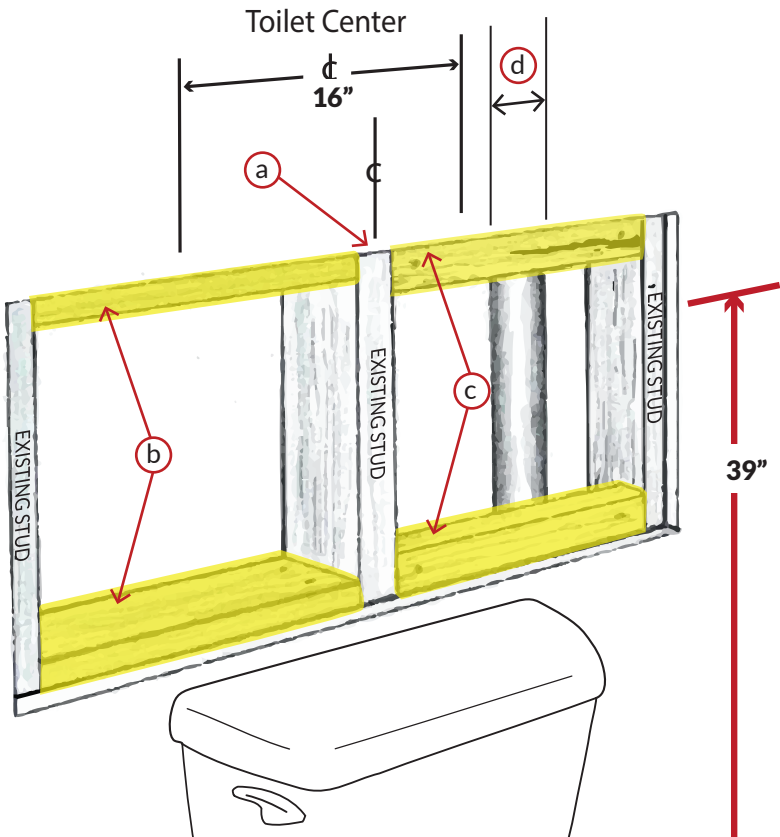
1. Extend the marks created in Step 1 (page 4) 16" horizontally and vertically to clear the projected drywall cuts—see diagram.
2. Make a vertical cut in the drywall in the center of the closest left side stud (a) and the center of the closest right side stud (b) on either side of the toilet. The vertical cuts should be approximately 32" apart if the studs are the **standard 16"** on center. If it's less, that's OK, sometimes this happens.
3. Make horizontal cuts (c) at least two inches higher and lower than the mounting bracket. The horizontal cuts should be a minimum 14" apart allowing for the horizontal framing.





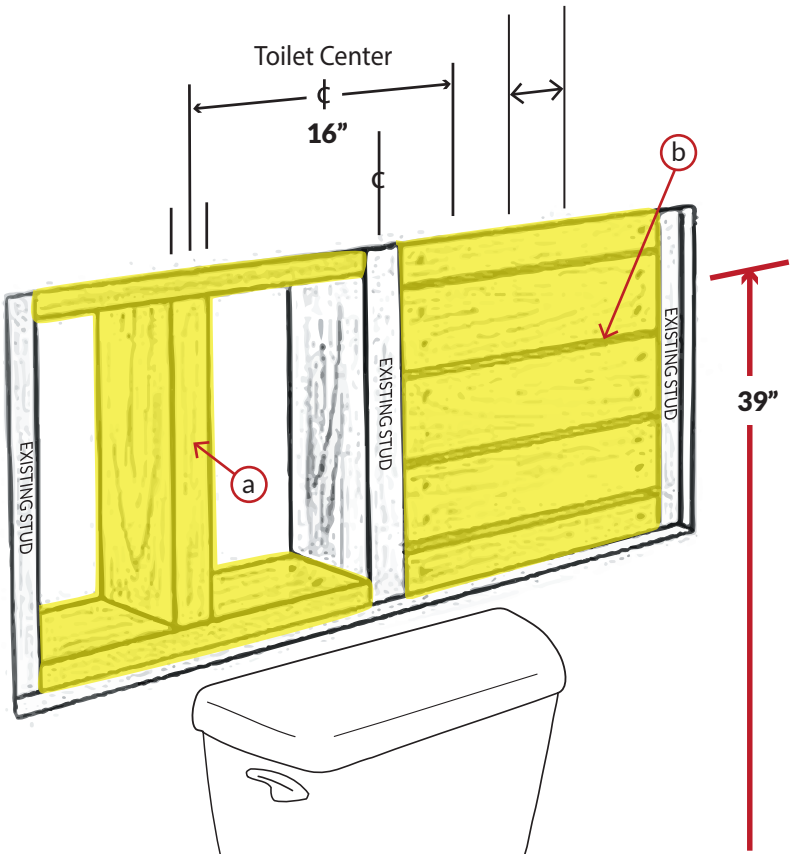
3

1. Make a center mark for the existing vertical stud (a), so you will know where it is after you cover the opening with plywood.
2. Install the horizontal 2x4" or 2x6" (match existing framing) blocking (b) at the top and at the bottom of the opening.
3. Fasten the blocking with structural screws (GRK screws are recommended-not provided).
4. The horizontal blocking may be turned 90 degrees (c) to accommodate plumbing or venting within the wall as shown. **Note: Mark where existing plumbing is located (d).**



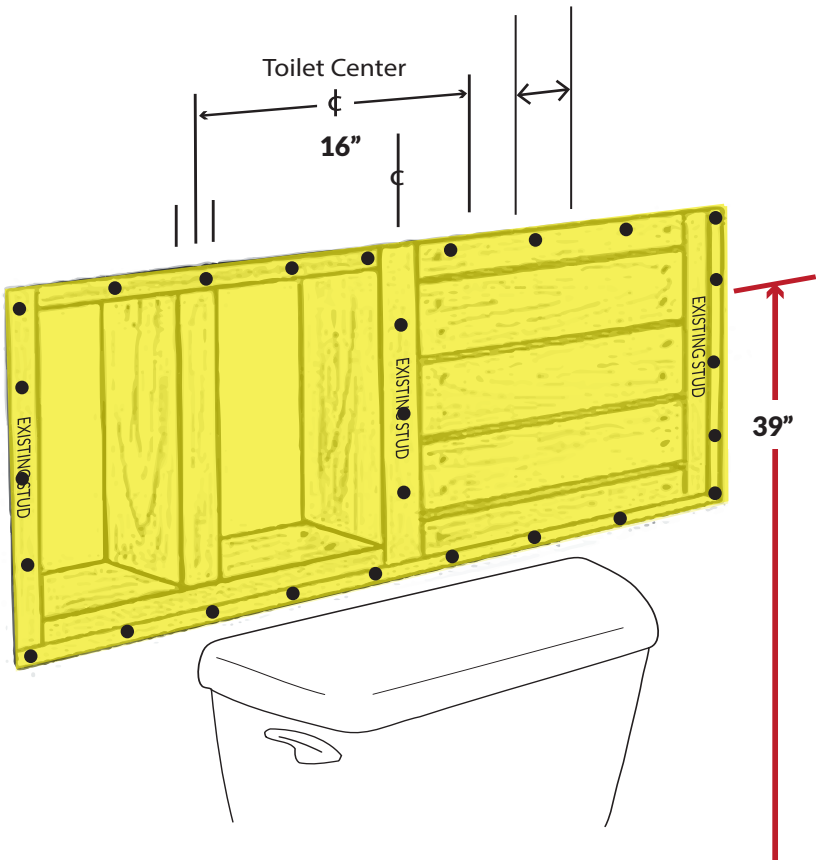
4

1. Install the vertical blocking (a) at the average 16" width using the same method of attachment as step 3.
2. Use horizontal blocking to fill the entire bay (b) to accommodate plumbing or venting within the wall as shown.

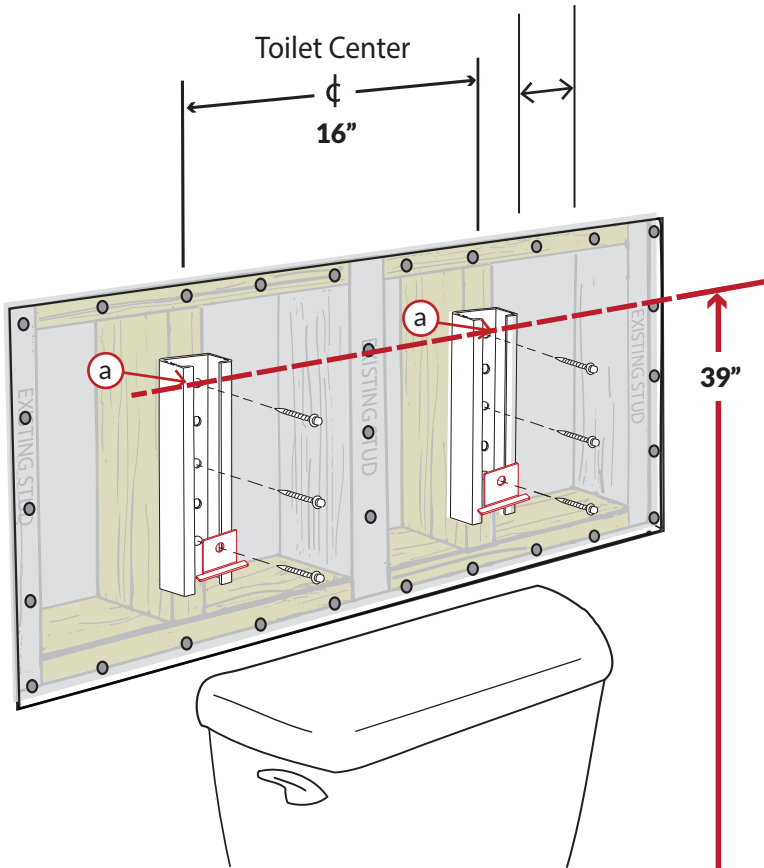


5

1. Matching drywall thickness, install plywood (recommend 9-ply) using 1 1/4" drywall screws 4" on center. Apply tape and mud while preserving your bracket location marks on the wall.

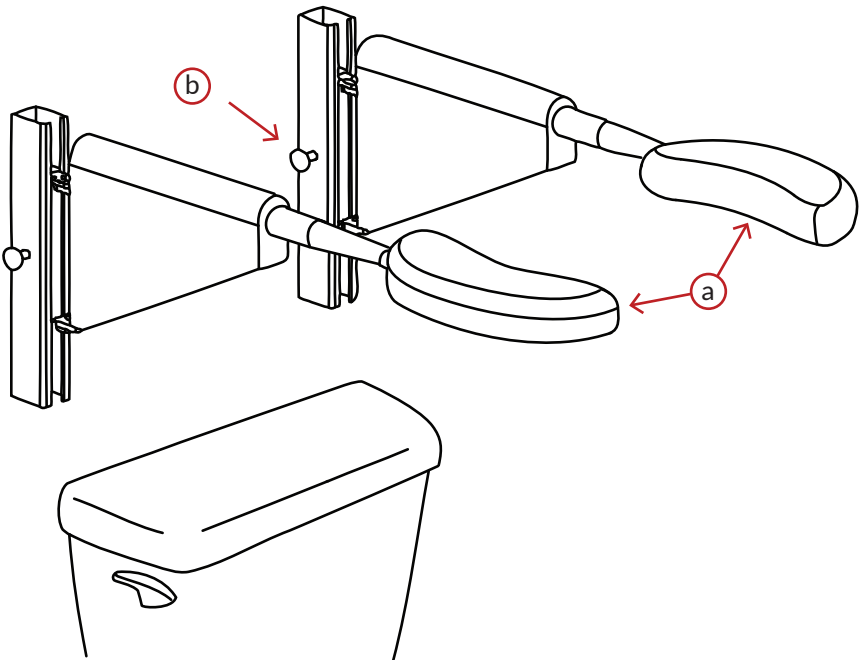


1. Extend vertical and horizontal lines over plywood to locate bracket position marks.
2. Install the two brackets (a) using the six 3 1/8" self-drilling screws provided in the installation kit. Install **Safety Stops** using lowest hole position as shown. **Note: If bracket location & plumbing location intersect with each other, use shorter structural screws or cut provided screws so not to pierce plumbing. (pre-drill to prevent splitting)**



7

1. Slide the Pad Support assembly into the brackets (a) and adjust according to the User Set-Up Instructions (page 2) using adjusting pins (b).





**PANTS<sup>U</sup>PEASY<sup>®</sup>**

## Toilet Model Freestanding



### Model PUE-TMF-1502 (Ships in 2 Boxes)

#### WHATS INCLUDED:

1. Toilet Model Freestanding
  - a. 10 ea metal parts
  - b. 2 ea plastic pads
  - c. 40 ea assembly screws
  - d. 1 ea 5.5mm hex key
  - e. 4 ea 1/2" nuts
2. Pad Support System
  - a. 2ea Pants up Easy Pad Support Arms
  - b. 2ea Mounting Brackets

#### TOOLS REQUIRED:

1. 1/2" socket and wrench



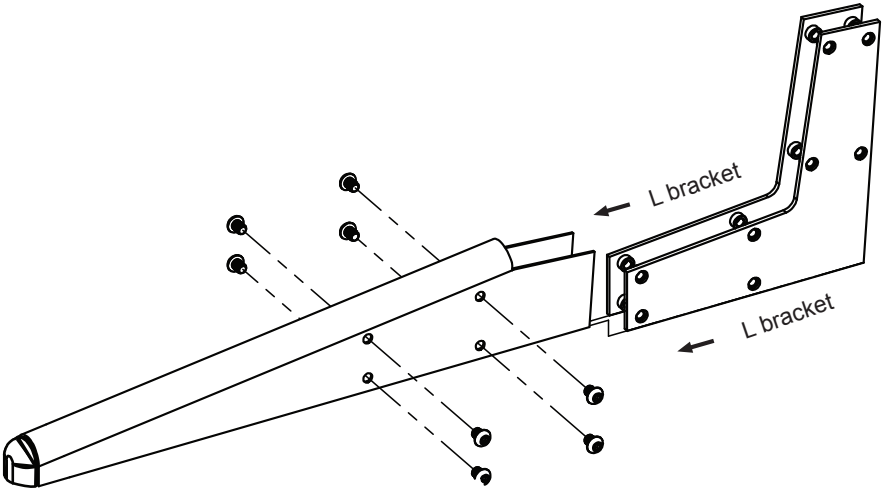
[www.pantsupeasy.com](http://www.pantsupeasy.com)

# Installation Instructions

\*If your package comes pre-assembled, skip steps 1,2 & 3.

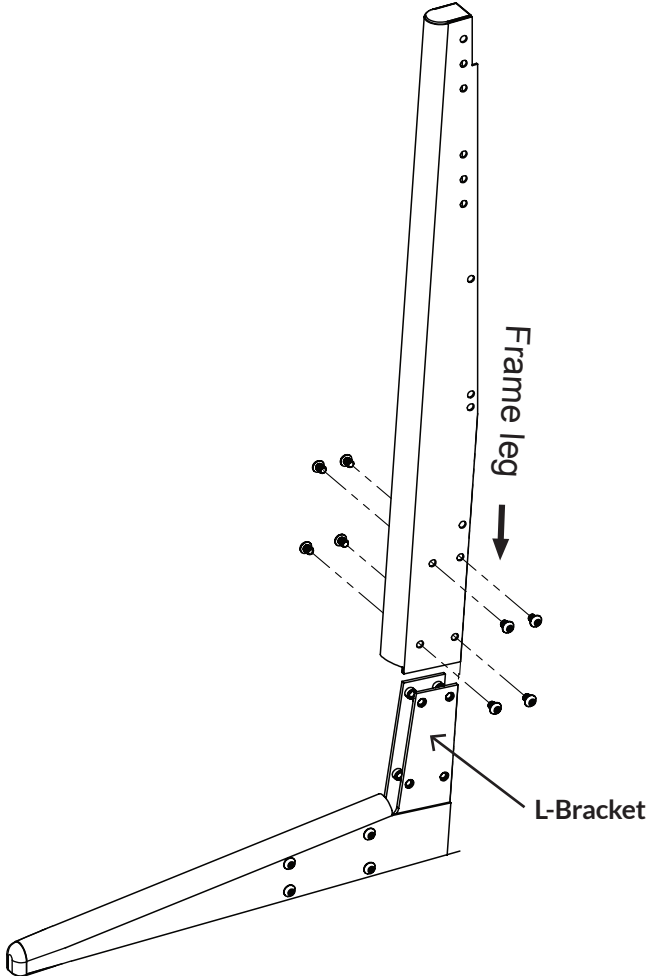
1

\*Place two of the four L brackets into the frame foot and loosely fasten using eight screws into the frame foot, only a few turns so it remains loose.



## 2

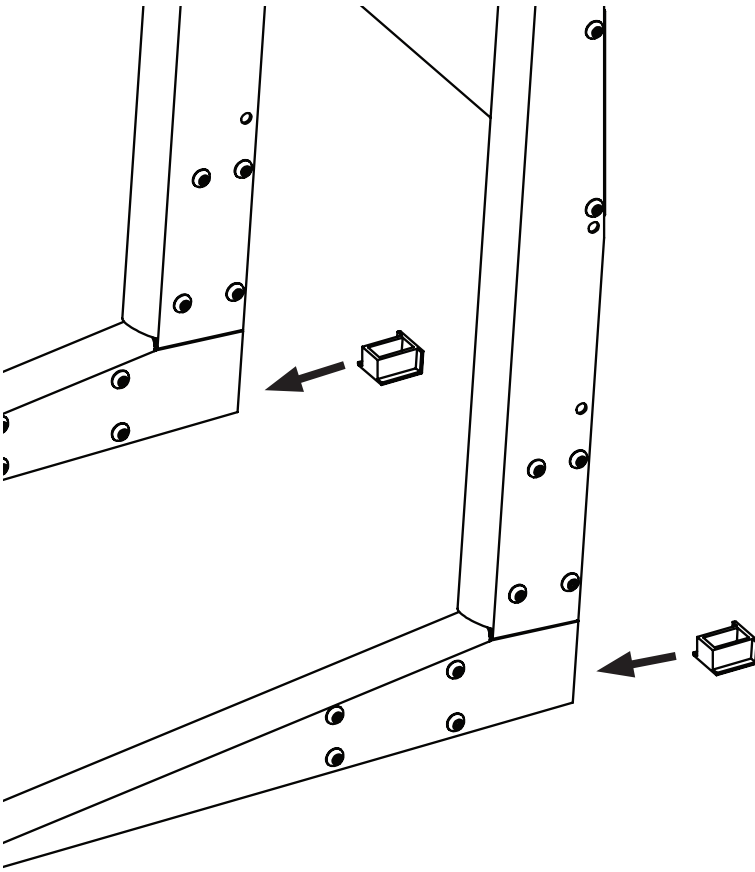
1. Place the frame leg over the two L brackets and loosely fasten eight screws. (provided)
2. After you have all 16 screws loosely in place, tighten with 5.5mm hex key (provided).
3. Repeat steps 1&2 for the second leg assembly.





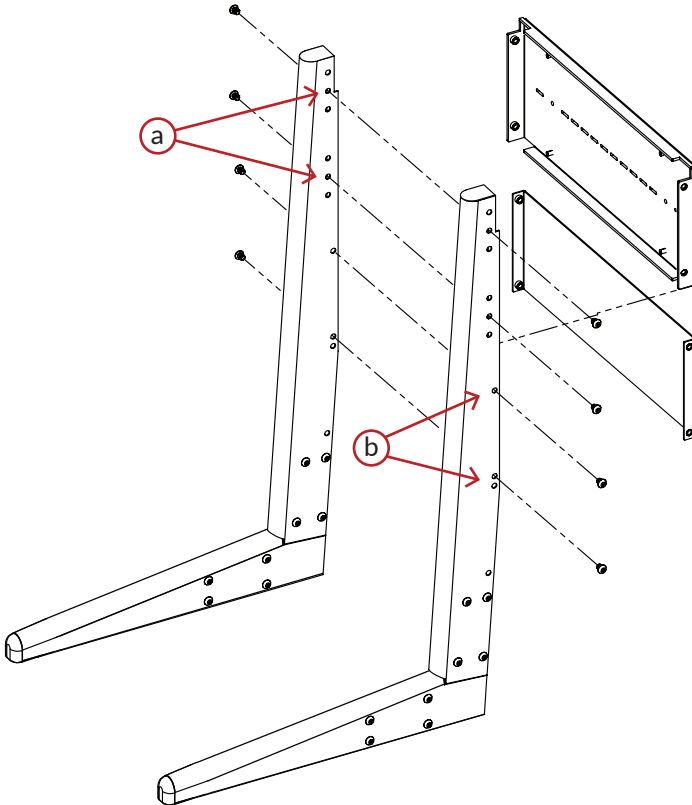
### Inserting 2 ea plastic pads

1. Carefully lean the frame over to expose the bottom corner where the pads will be inserted. (We recommend using the floor or laying the unit on a table).
2. Remove the protective film from the adhesive located on each plastic pad and insert as shown. In some instances the metal corner may need to be slightly spread to accommodate the plastic pad - we recommend applying pressure using a wooden device such as a hammer handle. (Take a look at our video for a demonstration).



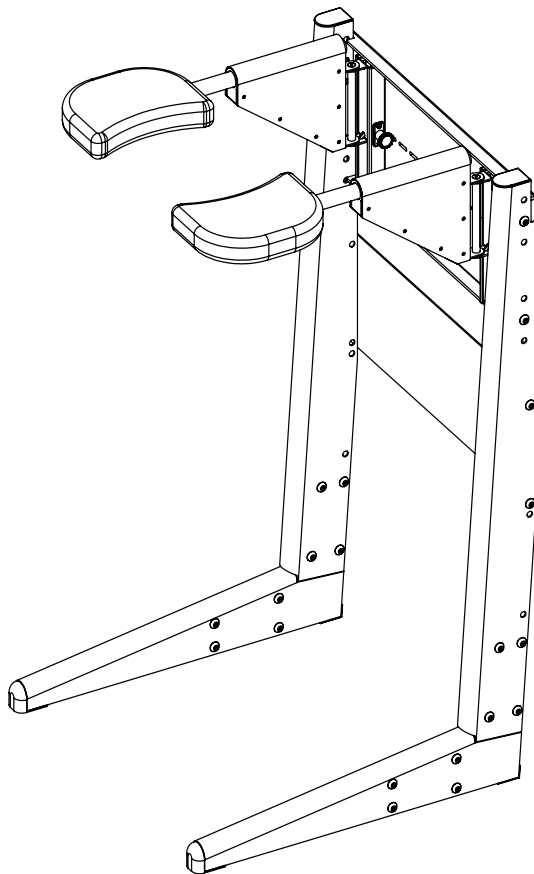
# 4

1. Position the upper back plate into the top of the assembled frame legs. Position the back plate with the double-notches facing upward. Pants Up Easy Logo should be upright. The proper placement of the plate for fastening is on the inside of the outer edge of each leg.
2. Fasten the upper plate in one of the three available positions (the middle position (a) should work in most applications) using 2ea screws per side.
3. Repeat this assembly for the other side.
4. Attach the lower plate using the four remaining screws. (There are two available positions for the lower plate, the upper position (b) should work in most applications.)



5

1. Place the frame assembly behind the toilet at this time.
2. Insert the 2ea Pad Support Arms into their respective Mounting Brackets. Ensure that the pads and adjustment pins are positioned as shown in the drawing (pins facing each other).
3. Attach the Pad Support Assembly to the existing bolts on the upper plate. Slide the Pad Support Arms to the bottom of the Brackets and secure using 2 nuts (provided).
4. Slide the Pad support to top position of bracket, and secure with the two remaining nuts. Tighten all 4 nuts with 1/2" socket wrench.



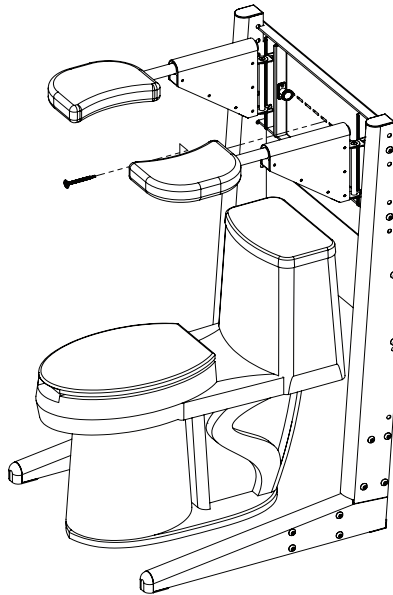
## 6

### Secure the unit to the wall: recommended step - not required

1. Locate and mark the center of a vertical stud behind upper plate. (Using a stud finder is recommended).
2. Fasten upper back plate to wall using a 1 1/4" wood screw (not provided).

## 7

1. Adjust the Pad Support System for use according to Set-Up Instructions. (page 2)
2. To accommodate children and smaller people **Reverse Installation** may be required. See Page 5: **Reverse Installation** Figure 4 for instructions.





**PANTS UP EASY®**

# Wheelchair Model Freestanding



**MODEL PUE-WMF-1503** (ships in 3 boxes)

## WHATS INCLUDED:

1. **Wheelchair Model Kit**
  - a. 1ea base
  - b. 2ea post
  - c. 4ea 5/16" x 3 1/2" nuts & washers (post anchors)
2. **Pad Support System**
  - a. 2ea Pants Up Easy Pad Support Arms
  - b. 2ea mounting brackets
  - c. 2 ea Safety Stops
  - d. 4ea 5/16" x 3 1/2" bolts & 1/2" nuts & washers (bracket anchors)

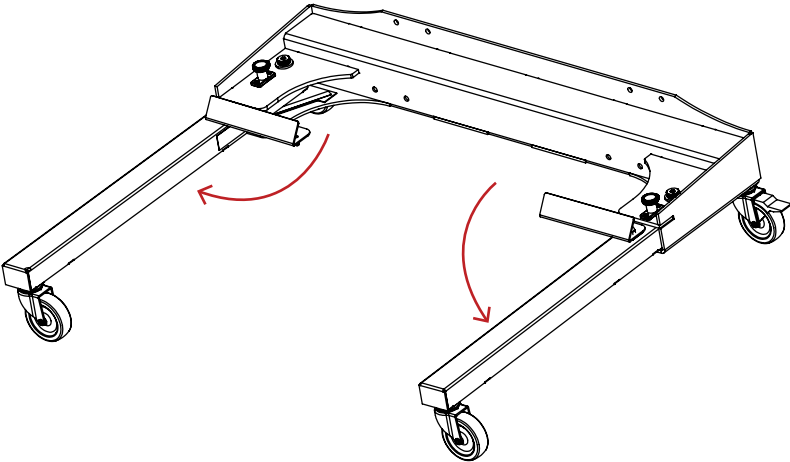
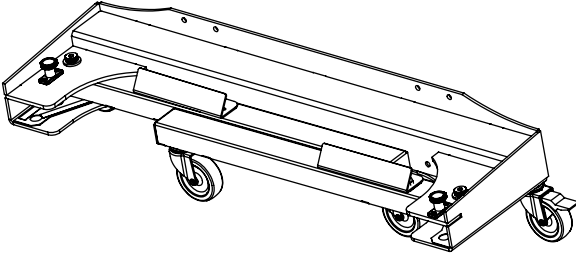
## TOOLS REQUIRED:

1. 1/2" socket wrench



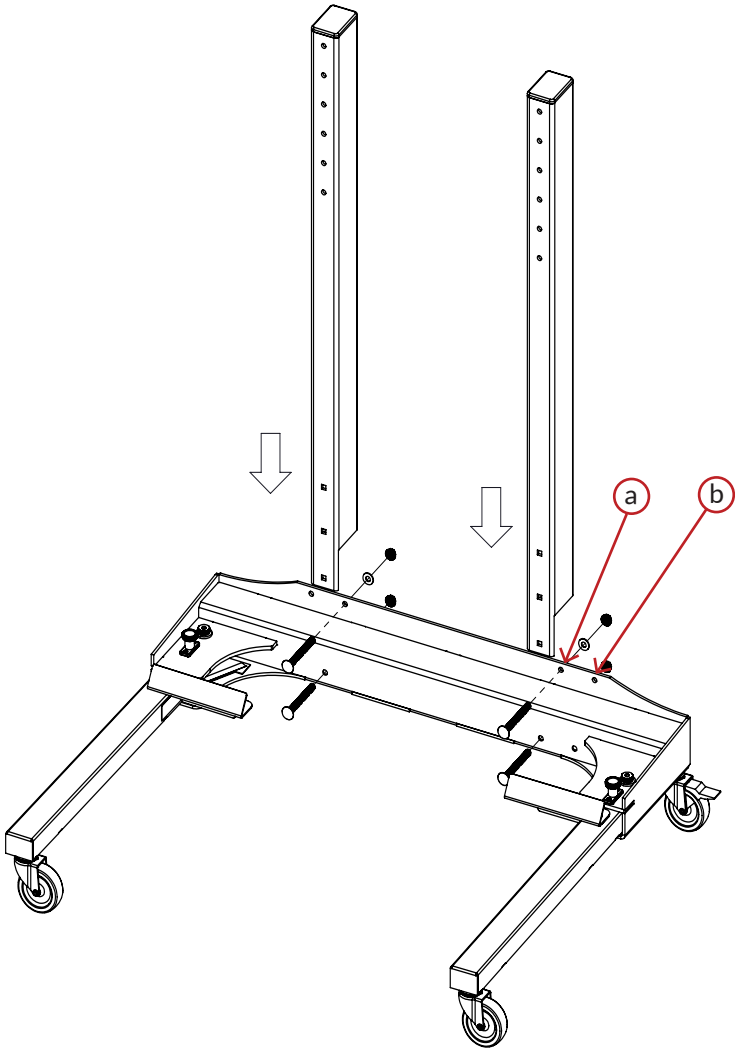
1

1. Swing the two legs out until the spring pin snaps into place.
2. Swing open the two wheelchair stops to the open position as shown in the lower illustration. These stops will assist the user to set the chair in the proper position during use of Pants Up Easy.



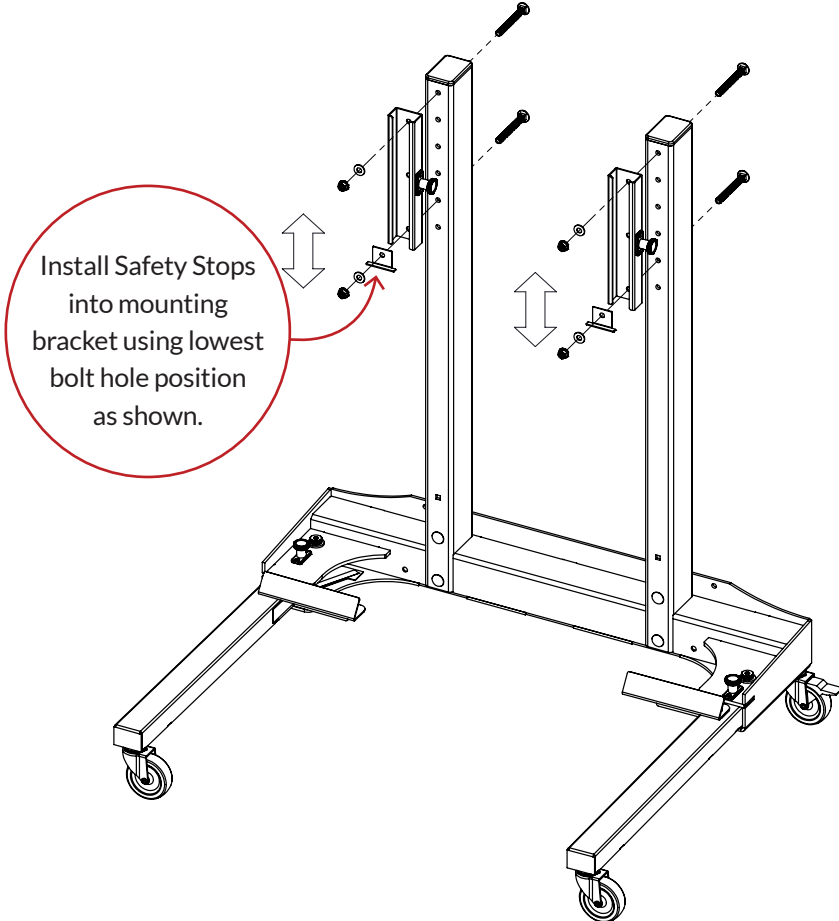
2

1. Place the two post into position (a) for manual wheelchairs, or position (b) for power wheelchairs and fasten using 4ea 5/16" x 3 1/2" bolts and 1/2" nuts & washers
2. Tighten using 1/2" wrench (not provided)



### 3

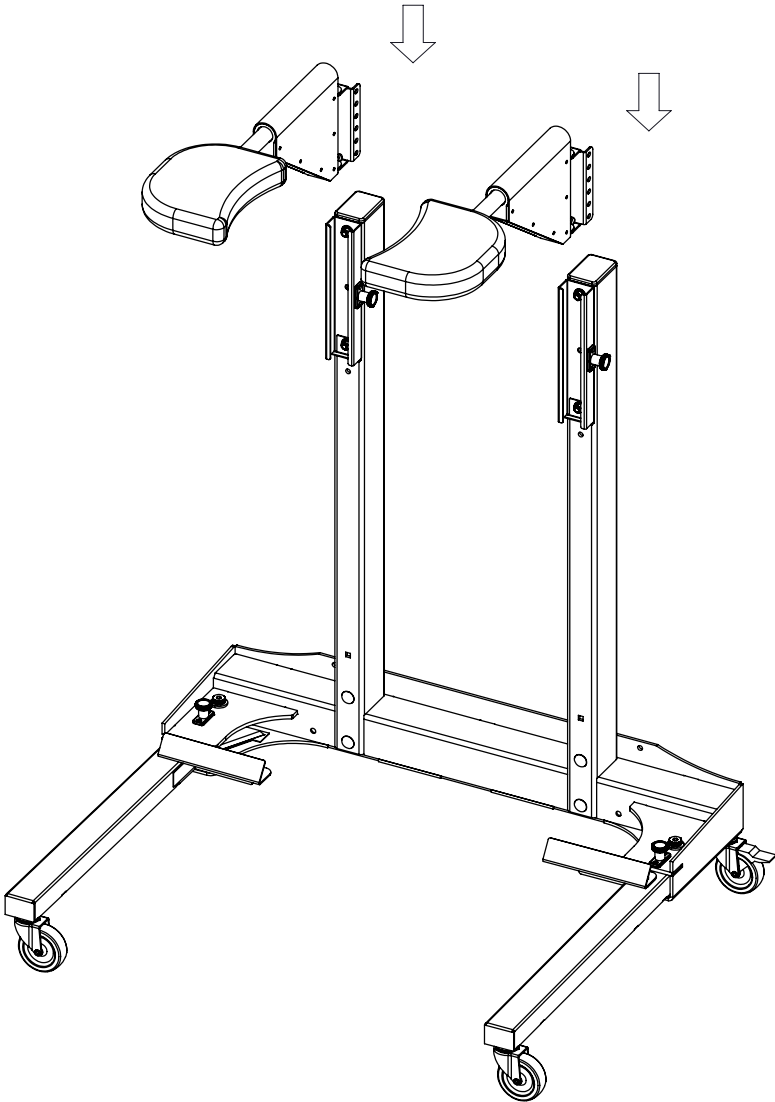
1. Remove the mounting brackets from the Pants Up Easy Pad Support system.
2. Fasten brackets to each post using 4ea 5/16" x 3 1/2" bolts & 1/2" nuts & washers. Several hole positions are available to accommodate the height of user.
3. Tighten with 1/2" socket wrench (not provided).



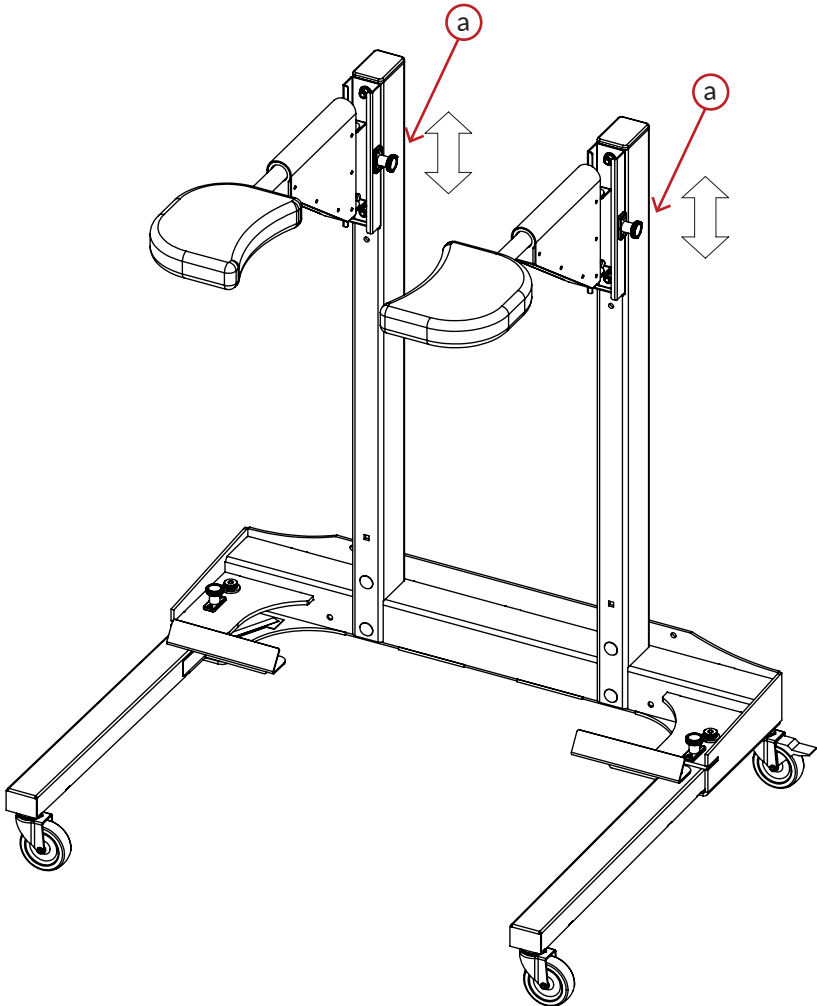


4

1. Slide the two pad support arms into the brackets.



1. Adjust the Pad Support System according to Set-Up Instructions (page 2) using adjusting pins. **a**
2. To accommodate children and smaller people Reverse Installation may be required. See Page 5: **Reverse Installation** Figure 4 for instructions.







© 2015

**PANTS UP EASY<sup>®</sup>**

email: [info@pantssupeasy.com](mailto:info@pantssupeasy.com)  
tel: 1-844-726-8787