



MULTICHAIR 5100Tx

The 5100Tx tub / slider system is a cost-effective solution for independent wheelchair users who don't require a complete roll-in slider system for bathing. The slider seat frame rolls on tough Delrin® wheels along self-aligning V-grooved slider tracks, making it the smoothest rolling transfer bench system available. The entire assembly packs into the included carrying case, making it perfect for travel.

Features

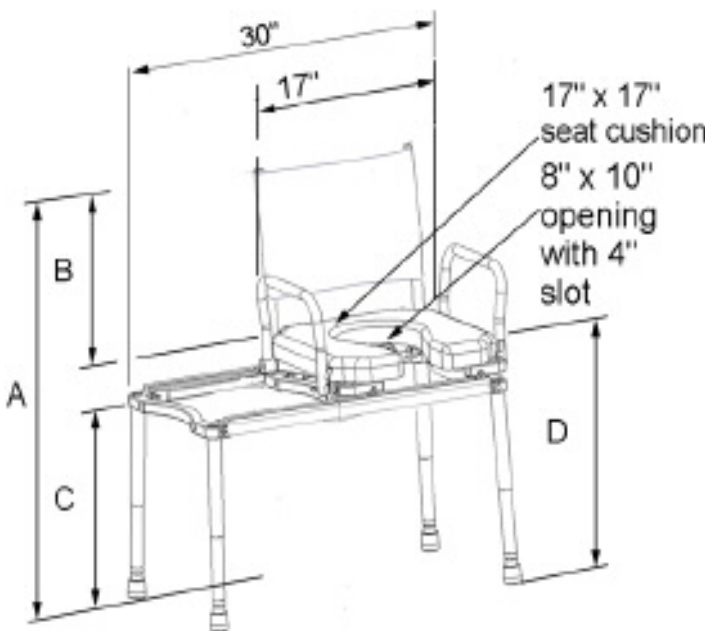
- Self-skinning padded urethane cushions with 1/2" waterfall-style foam ring around the commode opening and slot help protect the ischial and coccyx areas to reduce risk of pressure sores.
- Cantilever fold-back / locking padded chair arms
- Seat height adjusts from 18" to 24" to provide access over even the highest toilets required by the ADA.
- Constructed of materials that won't rust or corrode: aircraft grade aluminum, brass, stainless steel and plastic.
- The 5100Tx fits into a carrying case (18"x18"x6"), and will fit in the overhead compartment of most airlines.

Specifications

- Approximate weight: 22 pounds
- Weight capacity: 300 pounds
- The overall depth of the multiCHAIR 5100tx is 19"
- Passed ANSI / BIFMA X5.1 test performed by Gaynes Labs, Inc. (a national testing laboratory). Weights of 250 lbs. and 300 lbs. were dropped on the chair, with no structural breakage or loss of serviceability

Dimensions and Notes

- A = 35-1/2" to 39-1/2" (adjustable)
- B = 15-1/2" (top edge of seat cushion to top of back cushion)
- C = 16-1/2" (inside minimum clearance)
- D = 20-1/2" to 24-1/2" (adjustable, floor to top of seat cushion)



* Illustration shows available A3 armrests and cloth backrest.