



Manual Wheelchairs

OWNERS MANUAL

PROBASICS EC MANUAL WHEELCHAIRS

MODEL NO. EC03
EC04
EC06
EC07
EC09
EC10
EC11
EC12



PROBASICS DX MANUAL WHEELCHAIRS

MODEL NO. 1003DX
1004DX
1006DX
1007DX
1009DX
1010DX
1011DX
1012DX



PROBASICS FULL RECLINING MANUAL WHEELCHAIRS

MODEL NO. 1816
1818
1820



PROBASICS HIGH STRENGTH LIGHTWEIGHT MANUAL WHEELCHAIR

MODELS NO. 1610
1611
1810
1811
1812
1813



HEAVY DUTY MANUAL WHEELCHAIR

MODEL NO. 1013
1014
1124
1224



1.	Special Notes.....	3
2.	Specifications.....	4
3.	Wheelchair Safety and Handling.....	6
3.	WARNINGS – ALL MODELS.....	7
3.	WARNINGS – RECLINER OPERATION.....	7
5.	Stability and Balance.....	8
6.	Coping with Everyday Obstacles.....	8
7.	A Note to Wheelchair Assistants.....	8
8.	Importance of Weight Distribution.....	9
9.	Reaching, Leaning, and Bending Forward.....	9
10.	Reaching, Leaning Backwards.....	10
11.	Tipping.....	10
12.	Climbing Curbs.....	10
13.	Transferring To and From Other Seats.....	11
14.	Unfolding and Folding the Wheelchair.....	12
15.	Installing and Repositioning Headrest Pillow (Recliners Only).....	13
16.	Safety Inspection Checklist.....	14
17.	Maintenance Safety Precautions.....	15
18.	Installing/Removing the Front Riggings.....	16
19.	Footrest Height Adjustment.....	17
21.	Raising/Lowering the Elevating Leg Rest.....	17
21.	Removing/Installing Armrests.....	18
22.	Adjusting Armrest Height.....	18
22.	Flip-Back Arms.....	19
23.	Replacing Standard Seat Upholstery.....	20
24.	Replacing Standard Back Upholstery.....	20
25.	Replacing Slip-On Back Upholstery.....	21
26.	Adjusting the Back Height.....	22
27.	Changing Rear Wheel Position and Sizes.....	22
28.	Adjusting Forks.....	23
29.	Replacing Front Casters.....	23
30.	Wheel Lock Adjustment.....	24
31.	Installing Seat Positioning Strap.....	25
32.	Limited Lifetime Warranty.....	26

NOTICE

THE INFORMATION CONTAINED IN THIS DOCUMENT IS SUBJECT TO CHANGE WITHOUT NOTICE.

SAFETY INFORMATION

UPON INITIAL DELIVERY

NOTE: Check ALL parts of the wheelchair for shipping damage before use. In case of shipping damage, DO NOT use. Contact Carrier/Dealer for further instruction.

WHEELCHAIR USER

NOTE: Check ALL parts of the wheelchair for damage before each and every use. If a component is suspect contact you Dealer for repair.

WARNING/CAUTION notices as used in this manual apply to hazards or unsafe practices which could result in personal injury or property damage.

As a manufacturer of wheelchairs, Probasics endeavors to supply a wide variety of wheelchairs to meet many needs of the end user. However, final selection of the type of wheelchair to be used by an individual rests solely with the user and his/her healthcare professional capable of making such a selection.

This wheelchair has not been approved as a seat surface to be used within a vehicle of any kind. Always transfer wheelchair user on an approved vehicle seat with the appropriate restraints for this application.

Probasics strongly recommends the use of rear anti-tippers as an additional safeguard for the wheelchair user.

AS REGARDS TO RESTRAINTS- SEAT POSITIONING STRAPS- IT IS THE OBLIGATION OF THE DEALER, THERAPISTS AND OTHER HEALTHCARE PROFESSIONALS TO DETERMINE IF A SEATING RESTRAINT IS REQUIRED TO ENSURE THE SAFE OPERATION OF THIS EQUIPMENT BY THE USER. SERIOUS INJURY CAN OCCUR IN THE EVENT OF A FALL FROM A WHEELCHAIR. PROBASICS STRONGLY RECOMMENDS THE USE OF SEAT POSITIONING STRAPS AS AN ADDITIONAL SAFEGUARD FOR THE WHEELCHAIR USER.

PRODUCT SPECIFICATIONS

MODEL EC STANDARD WHEELCHAIRS

MODEL NO.	SEAT WIDTH	SEAT DEPTH	SEAT HEIGHT	BACK HEIGHT	OVERALL WIDTH	WEIGHT LIMIT	FRONT RIGGINGS	ARM STYLES
EC03	16"	16"	17½"-19½" "	17"	24"	300lbs	Swingaway footrest	Removable desk
EC04	16"	16"	17½"-19½"	17"	24"	300lbs	Elev. Leg rest	Removable desk
EC06	18"	16"	17½"-19½"	17"	26"	300lbs	Swingaway footrest	Fixed desk
EC07	18"	16"	17½"-19½"	17"	26"	300lbs	Elev. Leg rest	Fixed desk
EC09	18"	16"	17½"-19½"	17"	28"	300lbs	Swingaway footrest	Removable desk
EC10	18"	16"	17½"-19½"	17"	28"	300lbs	Elev. Leg rest	Removable desk
EC11	20"	16"	17½"-19½"	17"	30"	300lbs	Swingaway footrest	Removable desk
EC12	20"	16"	17½"-19½"	17"	30"	300lbs	Elev. Leg rest	Removable desk

MODEL DX STANDARD WHEELCHAIRS

MODEL NO.	SEAT WIDTH	SEAT DEPTH	SEAT HEIGHT	BACK HEIGHT	OVERALL WIDTH	WEIGHT LIMIT	FRONT RIGGING	ARM STYLES
1003DX	16"	16"	17½"-19½"	17"	24"	300lbs	Swing footrest	Removable desk
1004DX	16"	16"	17½"-19½"	17"	24"	300lbs	Elev. leg rest	Removable desk
1006DX	18"	16"	17½"-19½"	17"	26"	300lbs	Swing footrest	Fixed full
1007DX	18"	16"	17½"-19½"	17"	26"	300lbs	Elev. leg rest	Fixed full
1009DX	18"	16"	17½"-19½"	17"	26"	300lbs	Swing footrest	Removable desk
1010DX	18"	16"	17½"-19½"	17"	26"	300lbs	Elev. leg rest	Removable desk
1011DX	20"	16"	17½"-19½"	17"	28"	315lbs	Swing footrest	Removable desk
1012DX	20"	16"	17½"-19½"	17"	28"	315lbs	Elev. leg rest	Removable desk

STANDARD BARIATRIC WHEELCHAIRS (Removable Desk Arms)

MODEL NO.	SEAT WIDTH	SEAT DEPTH	SEAT HEIGHT	BACK HEIGHT	OVERALL WIDTH	WEIGHT LIMIT	FRONT RIGGINGS
1013	22"	18"	21"-19"	16"	30"	400lbs	Swing Foot rest
1014	22"	18"	21"-19"	16"	30"	400lbs	Elev. Leg rest
1124	24"	18"	21"-19"	16"	32"	400lbs	Swing Foot rest
1224	24"	18"	21"-19"	16"	32"	400lbs	Elev. Leg rest

Model High Strength Lightweight Wheelchairs (Flip Up Desk Arms)

MODEL NO.	SEAT WIDTH	SEAT DEPTH	SEAT HEIGHT	BACK HEIGHT	OVERALL WIDTH	WEIGHT LIMIT	FRONT RIGGINGS
1610	16"	16"	18"-20"	16"	24"	300 lbs	Swingaway footrest
1611	16"	16"	18"-20"	16"	24"	300 lbs	Elev. Leg rest
1810	18"	16"	18"-20"	16"	26"	300 lbs	Swingaway footrest
1811	18"	16"	18"-20"	16"	26"	300 lbs	Elev. Leg rest
1812	20"	16"	18"-20"	16"	28"	300 lbs	Swingaway footrest
1813	20"	16"	18"-20"	16"	28"	300 lbs	Elev. Leg rest

STANDARD RECLINING WHEELCHAIRS

MODEL NO.	SEAT WIDTH	SEAT DEPTH	SEAT HEIGHT	BACK HEIGHT	OVERALL WIDTH	WEIGHT LIMIT	FRONT RIGGINGS	ARM STYLES
1816	16"	16"	19.5"	31"	26"	300lbs	Elev. leg rest	Removable desk
1818	18"	16"	19.5"	31"	28"	300lbs	Elev. leg rest	Removable desk
1820	20"	16"	19.5"	31"	30"	300lbs	Elev. leg rest	Removable desk

WHEELCHAIR SAFETY AND HANDLING

“Safety and Handling” of the wheelchair requires the close attention of the wheelchair user as well as the assistant. This manual points out the most common procedures and techniques involved in the safe operation and maintenance of the wheelchair. It is important to practice and master these safe techniques until you are comfortable in maneuvering around the frequently encountered architectural barriers.

Use this information only as a “basic” guide. The techniques that are discussed on the following pages have been used successfully by many users.

Individual wheelchair users often develop skills to deal with daily living activities that may differ from those described in this manual. Probasics recognizes and encourages each individual to try what works best for him/her in overcoming architectural obstacles that they may encounter, however ALL WARNINGS and CAUTIONS given in this manual MUST be followed. Techniques in this manual are a starting point for the new wheelchair user and assistant with “safety” as the most important consideration for all.

WARNINGS (All MODELS)

The position of the front casters, position of the rear wheels, as well as the user condition directly relate to the stability of the wheelchair. Any change to one (1) or any combination of the three (3) may cause the wheelchair to decrease in stability. These adjustments **MUST** be performed by a qualified technician.

ALL warnings and cautions in this manual must be followed unless otherwise noted.

DO NOT TRAVERSE, CLIMB or GO DOWN ramps or slopes greater than 9°.

DO NOT operate on roads, streets or highways.

DO NOT attempt to ride over curbs or obstacles. Doing so may cause your wheelchair to tip over and cause bodily harm to you or damage to the wheelchair.

DO NOT stand on the frame of the wheelchair.

DO NOT use the footplate as a platform. When getting in or out of the wheelchair, make sure that the footplates are in the upward position.

ALWAYS use the hand rims for self-propulsion. **DO NOT** grip the rear wheels themselves.

DO NOT use parts, accessories, or adapters other than those authorized by Probasics.

WARNINGS (Recliner Operation)

Rear anti-tippers **MUST BE** attached at all times.

ALWAYS make sure that the wheelchair is stable and either in the full reclined (180°) position and the full upright (90°) position **BEFORE** operation the recliner mechanism.

ALWAYS engage both wheel locks while reclining or raising the back of the wheelchair.

Make sure the spreader bar is secured with the tightening knob before using the wheelchair. Make sure both back canes are at the same angle before releasing the handles of the recline mechanism.

ALWAYS return the back to the upright position before lifting the wheelchair.

TO HEALTHCARE PROFESSIONALS/ASSISTANTS:

This Recliner wheelchair **MUST** be operated by a healthcare professional or assistant when in any reclined position.

Make sure the patient is properly positioned in the wheelchair before reclining or

raising the back to maintain maximum stability and safety.

Assistants MUST be prepared to support the weight of the occupant when reclining, or returning the occupant of the wheelchair to the full upright position. Make sure to use proper body mechanics (use your legs) or seek assistance if necessary to avoid injury.

Make sure occupant's and bystanders' hands and body are clear of all pinch points before reclining back. Use caution, otherwise injury may occur.

WEIGHT TRAINING

Probasics DOES NOT recommend the use of its wheelchairs as a weight training apparatus. Probasics wheelchairs have NOT been designed or tested as a seat for any kind of weight training. If occupant uses said wheelchair as a weight training apparatus, Probasics shall NOT be liable for bodily injury and the warranty is void.

STABILITY AND BALANCE

To assure stability and proper operation of your wheelchair, you must at all times maintain proper balance. Your wheelchair has been designed to remain upright and stable during normal daily activities as long as you do not move beyond the center of gravity.

Virtually all activities that involve movement in the wheelchair have an effect on the center of gravity. Probasics recommends using seat/chest-positioning straps for additional safety while involved in activities that shift your weight.

DO NOT lean forward out of the wheelchair any further than the length of the armrests. Make sure the casters are pointing in the forward position whenever you lean forward. This can be achieved by advancing the wheelchair and then reversing it in a straight-line.

COPING WITH EVERYDAY OBSTACLES

Coping with the irritation of everyday obstacles can be alleviated somewhat by learning how to manage your wheelchair. Keep in mind your center of gravity to maintain stability and balance.

A NOTE TO WHEELCHAIR ASSISTANTS

When assistance to the wheelchair user is required, remember to use good body mechanics. Keep your back straight and bend your knees whenever tipping the wheelchair or traversing curbs, or other impediments.

When learning a new assistance technique, have an experienced assistant help you before attempting in alone.

WARNINGS

DO NOT attempt to lift the wheelchair by any removable (detachable) parts. Lifting by means of any removable (detachable) parts of a wheelchair may result in injury to the user or damage to the wheelchair.

Always verify that hand grips on the rear back posts are secure PRIOR to use whenever an assistant is used to propel or lift the chair. Check for any signs of looseness or deterioration and if found, contact a qualified technician. DO NOT attempt to move the wheelchair by pulling on the handgrips if they are found to be unsecure or have deteriorated.

IMPORTANCE OF WEIGHT DISTRIBUTION

Many activities require the wheelchair owners to reach, bend and transfer in and out of the wheelchair. These movements will cause a change to the normal balance, the center of gravity, and the weight distribution of the wheelchair.

Proper positioning is essential for your safety. When reaching, leaning, or bending forward, it is important to use the front casters as a tool to maintain stability and balance.

WARNING

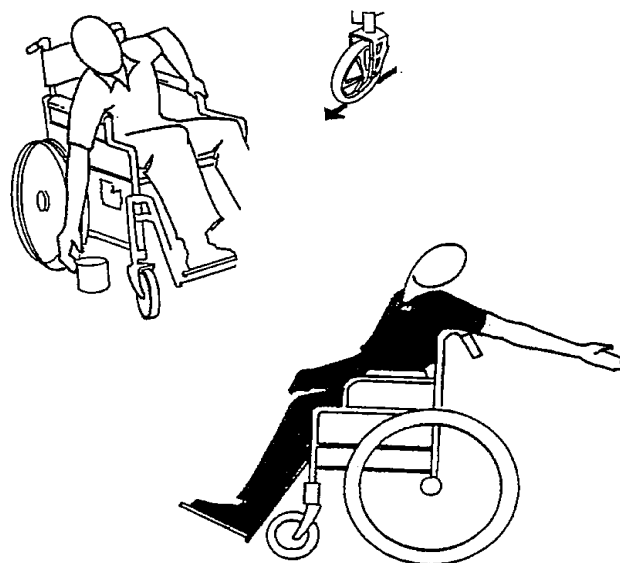
To determine and establish your particular safety limits, practice bending, reaching and transferring activities in several combinations in the presence of a qualified healthcare professional BEFORE attempting active use of the wheelchair.

REACHING, LEANING AND BENDING FORWARD

Position the front casters so that they are extended as far forward as possible and lock the wheel locks.

REACHING, LEANING BACKWARDS

Position the wheelchair as close as possible to the desired object. Point the front casters forward to create the longest possible wheelbase. Reach back but only as far as your arm will extend without changing your sitting position.



WARNINGS

DO NOT attempt to reach objects if you have to move forward in the seat or pick them up from the floor by reaching down between your knees.

DO NOT lean over the top of the back upholstery. This will change your center of gravity and may cause you to tip over.

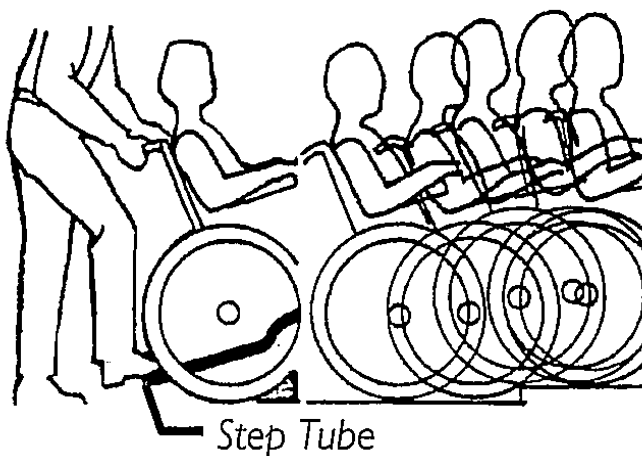
TIPPING

WARNING

DO NOT tip the wheelchair without assistance.

When tipping the wheelchair, an assistant should grasp the back of the wheelchair on a fixed, (non-detachable) part. Inform the wheelchair occupant before tipping the wheelchair and remind him/her to lean back. Be sure the occupant's feet and hands are clear of all wheels and/or pinch points.

After mastering the techniques of tipping the wheelchair, use the following method tackle curbs, short stairs, etc.



CLIMBING-CURBS

Place a foot on the step tube and begin to tilt the wheelchair toward you. Apply a continuous downward motion until the balance point is achieved and the front casters clear the curb. At this point, the assistant will feel a difference in the weight distribution

Roll the wheelchair forward and slowly lower the front of the wheelchair in one continuous movement onto the sidewalk. Push the wheelchair forward until the rear wheels roll up and over the curb.

WARNINGS

When lowering the front casters of the wheelchair, **DO NOT** let the wheelchair drop the last few inches to the ground. This could result in injury to the occupant and/or damage to the wheelchair.

ESCALATORS - DO NOT use an escalator to move a wheelchair between floors. Serious bodily injury may occur.

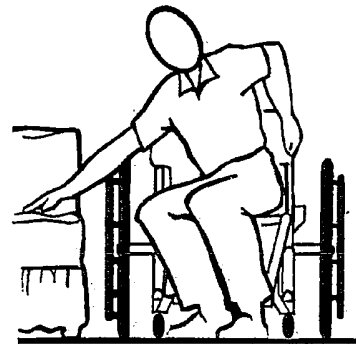
STAIRWAYS - DO NOT carry an occupied wheelchair up a stairway. Serious bodily injury may occur

TRANSFERRING TO AND FROM OTHER SEATS

NOTE: This activity may be performed independently provided you have adequate mobility and upper body strength.

Position the wheelchair as close as possible alongside the seat to which you are transferring, with the front casters pointing parallel to it. Remove or flip up the armrest. Engage wheel locks. Shift body weight into seat with transfer.

During independent transfer, little or no seat platform will be beneath you. Use a transfer board if at all possible.



WARNING

BEFORE attempting to transfer in or out of the wheelchair, every precaution should be taken to reduce the gap distance. Turn both casters parallel to the object you are transferring onto. Also be certain the wheel locks are engaged to help prevent the wheels from moving.

CAUTION

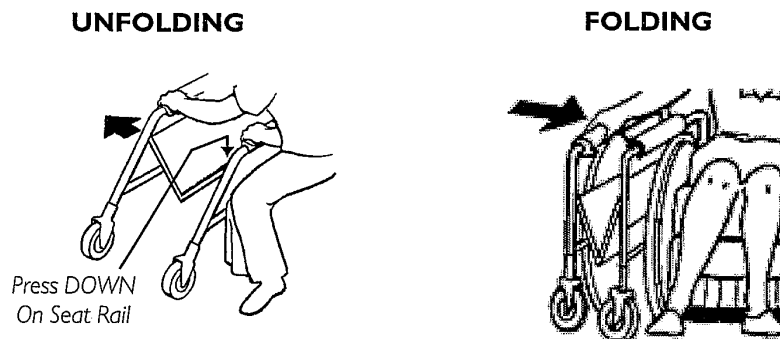
When transferring, position yourself as far back as possible in the seat. This will help prevent broken screws, damaged upholstery and the possibility of the wheelchair tipping forward.

NOTE: This activity may be performed independently provided you have adequate mobility and upper body strength.

Position the wheelchair as close as possible along side the seat to which you are transferring, with the front casters pointing parallel to it. Remove or flip up the armrest. Engage wheel locks. Shift body weight into seat with transfer.

During independent transfer, little or no seat platform will be beneath you. Use a transfer board if at all possible.

UNFOLDING AND FOLDING THE WHEELCHAIR



WARNINGS

Keep hands and fingers clear of moving parts to avoid injury.

DO NOT sit or transfer into the wheelchair unless it is fully open.

The Probasics Deluxe High Strength Lightweight Manual Wheelchair ensures the seat frame rails are fully seated into the side frame H-blocks before sitting or transferring into the wheelchair.

Unfolding

1. Open the wheelchair by grasping the back cane of the wheelchair closest to you.
2. Tilt the wheelchair towards you (raising the opposite wheel and caster off the ground/floor)
3. Push downward on the TOP of the seat rail closest to you where the seat upholstery is attached until the wheelchair is fully open.
4. Engage both wheel locks, open the footrest/leg rest for clearance and transfer into the wheelchair.

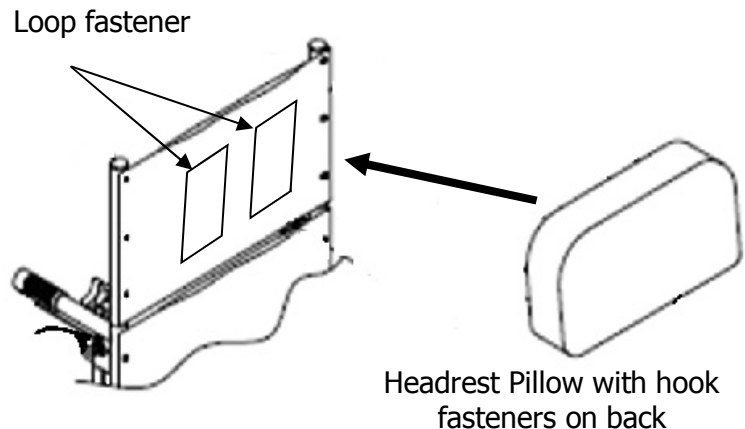
Folding

1. Swing footrest/leg rest and calf pads (if equipped) in locked position to the front of the wheelchair.
2. Pivot footplates upward to vertical position.
3. With both hands, grasp the middle of the seat upholstery at the front and back edge and lift up.
4. Continue to close the wheelchair by grasping the back cane furthest from you and pulling the armrest towards you.

Installing and Repositioning the Headrest Pillow

The headrest pillow fastens to the headrest extension by means of Hook and Loop fasteners.

1. Align the headrest pillow the loop fastener on the headrest
2. Press firmly to attach the pillow.
3. To reposition the headrest pillow, pull the headrest off the headrest extension and repeat steps 1 and 2.



SAFETY INSPECTION CHECKLIST

NOTE: Every six (6) months or as necessary, take your wheelchair to a qualified technician for a thorough inspection and servicing. Regular cleaning will reveal loose or worn parts and enhance the smooth operation of your wheelchair. To operate properly and safety, your wheelchair must be cared for just like any other vehicle. Routine maintenance will extend the life and efficiency of your wheelchair.

Initial adjustments should be made to suit your personal body structure needs and preference. Thereafter follow these maintenance procedures:

ITEM	Initially	Weekly	Monthly	Periodically
GENERAL				
- Wheelchair rolls straight (no excessive drag or pull to one side).	X			X
- Inspect for loose/missing/broken hardware in all locations.	X			X
FRAME AND CROSS BRACES				
- Inspect for bent frame or cross braces.	X			X
WHEEL LOCKS				
- Do not interfere with tires when rolling	X		X	
- Pivot points free of wear and looseness	X		X	
- Wheel locks easy to engage	X			X
- Wheel locks prevent wheelchair from moving when engaged	X	X		
SEAT AND BACK				
- Inspect upholstery for rips or sagging	X			X
- Inspect for loose or broken hardware	X		X	
- Inspect cane hand grips for wear/looseness/deterioration	X		X	
TIRES				
- Inspect for flat spots, cracks and water	X	X		
CAUTION: As with any vehicle, the wheels and tires should be checked periodically for cracks and wear, and should be replaced if damaged				
REAR WHEELS				
- No excessive side movement or binding when lifted and spun.	X			X
- Inspect wheels for cracks and wear (hub and rim).	X			X

- Inspect for cracked, bent or broken spokes.	X	X		
HAND RIMS - Inspect for signs of rough edges or peeling.	X			X
FRONT CASTERS/FORKS - Inspect wheel/fork assembly for proper tension by spinning caster; caster should come to a gradual stop. - Adjust bearing system if wheel wobbles noticeably or binds to a stop. Ensure wheel bearings are clean and free of moisture. - Check head tube locknuts for tightness. - Inspect casters for cracks and wear (hub and rim) - Inspect for cracked or broken spokes. CAUTION: As with any vehicle, the wheels and tires should be checked periodically for cracks and wear, and should be replaced if damaged	X X X X X	X X	X X	X
CLEANING - Clean upholstery and armrests	X			X

MAINTENANCE SAFETY PRECAUTIONS

WARNING

Unless otherwise noted, all service adjustments should be performed while the wheelchair is unoccupied.

After ANY adjustments, repair or service and BEFORE use, make sure all attachment hardware is tightened securely- otherwise, injury or damage may result.

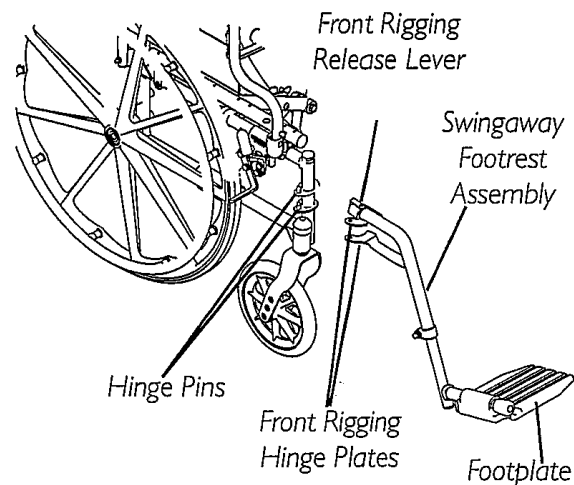
When cleaning rear cane or handgrip areas use only a clean towel lightly dampened with cool water. Verify that grips are dry prior to use. DO NOT use soap or ammonia based cleaning solutions otherwise the handgrips will slide off the cane assembly. Failure to observe this warning may result in injury to the user or bystanders.

CAUTION

DO NOT over tighten hardware attaching to the frame. This could cause damage to the frame tubing.

INSTALLING/REMOVING THE FRONT RIGGINGS

NOTE: This procedure applies to the swing away footrest and the elevating legrests front riggings



Installing

1. Turn the front rigging to the side (open footplate is perpendicular to wheelchair).
2. Install the front rigging hinge plates onto the hinge pins on the wheelchair frame.
3. Push the front rigging towards the inside of the wheelchair until it locks into place.

NOTE: The footplate will be on the inside of the wheelchair when locked in place.

4. Repeat STEPS 1-3 for the opposite side of the wheelchair.
5. To release the front rigging, push the footrest release lever inward, rotate footrest outward.

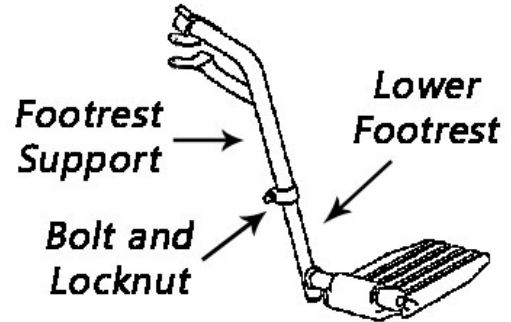
Removing

1. Push the rigging release lever inward and rotate the front rigging outward.
2. Lift up on front rigging and remove from wheelchair.
3. Repeat STEPS 1-2 for the opposite side of the wheelchair.

FOOTREST HEIGHT ADJUSTMENT

NOTE: This procedure applies to the swing away footrest and elevating legrest on EC, DX and Recliner Models.

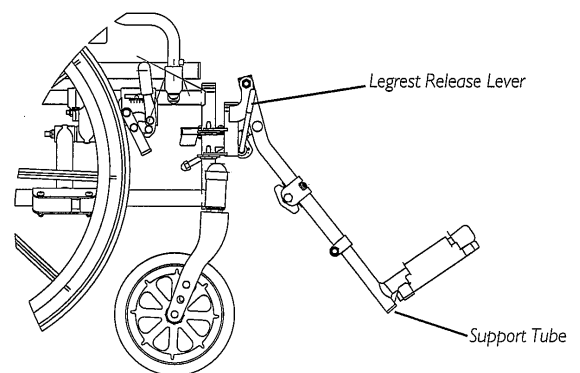
1. Loosen, but do not remove the bolt and locknut that secure the lower footrest assembly to the upper footrest support.
2. Reposition the lower footrest assembly to the desired height.
3. Securely tighten lug bolt and locknut that secure the lower footrest to the footrest support.
4. Repeat STEP 1-3 for the opposite side of wheelchair, if necessary.



Special Note: High Strength Lightweight Chairs feature a cam lock with push button retainers spaced approx 1" apart

RAISING/LOWERING THE ELEVATING LEG REST ASSEMBLY

1. To raise the elevating leg rest, the assistant or user should grab hold of the support tube and raise elevating leg rests until the desired height is obtained.
2. To lower the elevating leg rest, perform the following:
 - A. Support user leg with one (1) hand.
 - B. Push release lever downward with one hand.
 - C. Gently, lower user leg down and rest against the leg rest.



REMOVING/INSTALLING ARMRESTS

Removing

1. Press in and hold the armrest release button at the front of the armrest.
2. Pull straight up to remove armrest from arm sockets

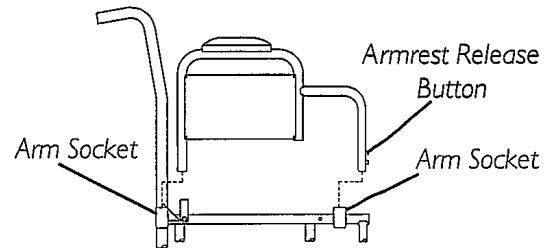
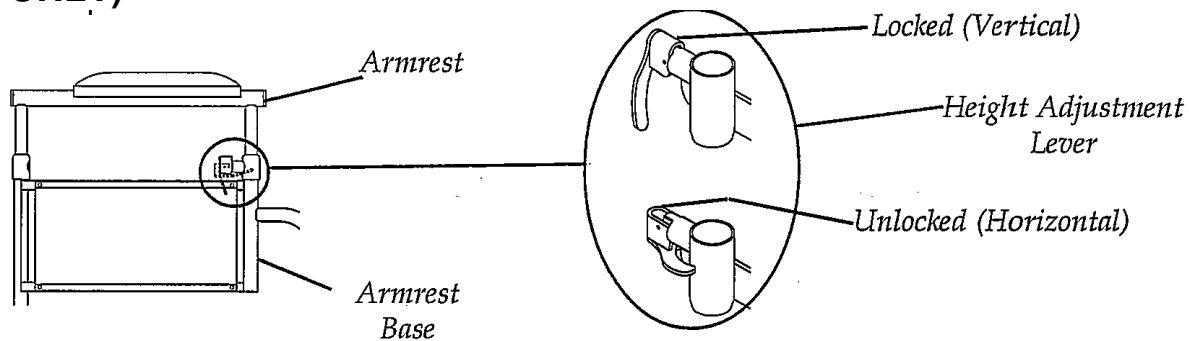


FIGURE 1 - REMOVING OR REPLACING STANDARD ARMREST

Installing

1. Position the armrest over front and rear arm sockets
2. Push the armrests down and evenly at both ends until the front release button snaps into arm socket hole.

ADJUSTING ARMREST HEIGHT (ADJUSTABLE HEIGHT ARMS ONLY)



Unlock the armrest by flipping the height adjustment lever on the top front of the armrest base to the **UP (HORIZONTAL)** position.

NOTE: Height adjustment lever **MUST** be in the unlocked position when placing armrest into the armrest base.

1. Adjust armrest to desired height.
2. Lock the armrest by pressing the height adjustment lever into the **DOWN (VERTICAL)** position when the desired armrest height is achieved.
3. Check that the armrest is locked into position by gently lifting up. If not locked, repeat STEP 3.

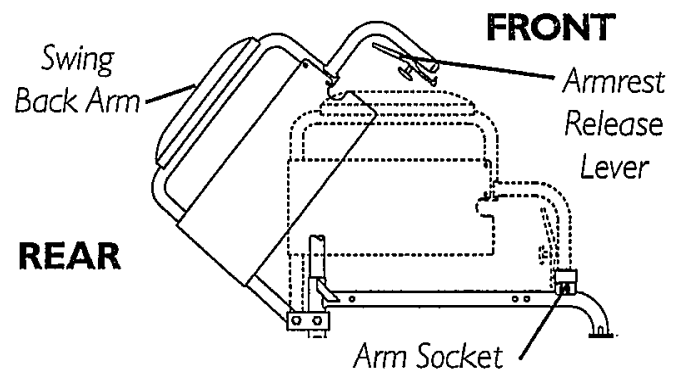
WARNING

Make sure the armrest is securely locked BEFORE using the wheelchair.

FLIP-BACK ARMS (Deluxe High Strength Lightweight and Standard High Strength Lightweight ONLY)

Unlock the flip-back arms by pushing the armrest release lever towards the front of the wheelchair.

1. Pull the front of the flip-back arm straight up/out of the arm socket and towards the rear of the wheelchair.
2. To use the flip-back arm, push the flip-back arm towards the front of the wheelchair and then downward into the arm socket.
3. Ensure the armrest release lever is in the locked position.



WARNING

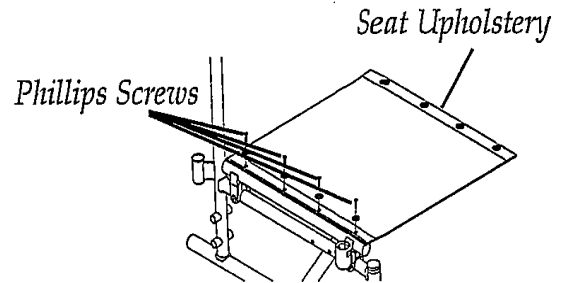
Make sure the armrest release lever is in the locked position before using the wheelchair.

REPLACING STANDARD SEAT UPHOLSTERY

NOTE: Lightweight Manual Wheelchairs, Deluxe High Strength Lightweight Manual Wheelchairs, and Standard High Strength Lightweight Manual Wheelchairs use eight (8) philips screws and washers to secure the seat upholstery to the cross braces.

NOTE: Bariatric Wheelchairs from Probasics use ten (10) Phillips screws and washers to secure the seat upholstery to the cross braces.

1. Remove the Philips screws and washers that secure the existing seat upholstery to the cross braces.
2. Remove the EXISTING seat upholstery from the crossbraces.
3. If used, ensure position of seat positioning strap.
4. Install NEW seat upholstery by reversing STEPS 1-2.



REPLACING STANDARD BACK UPHOLSTERY

SCREW ON BACK UPHOLSTERY (Deluxe High Strength Lightweight, Standard High Strength Lightweight, Recliners and Bariatric Wheelchairs ONLY)

1. Remove the eight (8) Philips screws and eight (8) washers that secure the existing back upholstery to the back canes.

For all models **except** Recliners the screws are removed from the rear of the chair. On recliners the screws are moved from the front.
2. Remove the back upholstery from the back canes.
3. Securely tighten the new back upholstery to the back canes with the Philips screws and washers.

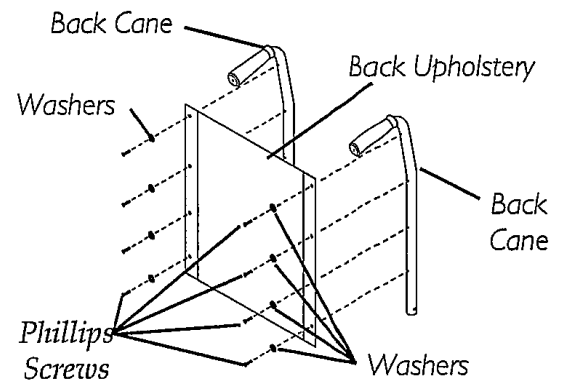
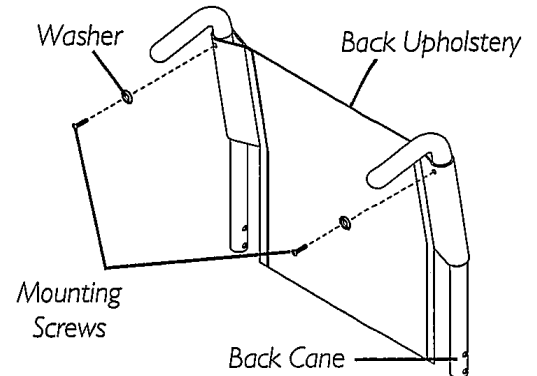


FIGURE 2 - REPLACING BACK UPHOLSTERY

REPLACING SLIP-ON BACK UPHOLSTERY (Deluxe and Standard High Strength Lightweight manual wheelchairs)

1. Remove the two (2) mounting screws and washers that secure the existing back upholstery to the back canes.
2. Remove the mounting screw and locking knob that secure one (1) back cane to the wheel chair frame.

NOTE: It is necessary to remove only one (1) back cane to replace the back upholstery.



3. Pull the loose back cane out of the existing back upholstery.
4. Pull the existing back upholstery up and over the mounted back cane.
5. Install the NEW back upholstery over the mounted back cane.
6. Slide the loose back cane to the wheelchair frame with the mounting screw and locking knob.
7. Secure the back cane to the wheelchair frame with the mounting screw and locking knob.
8. Secure the NEW back upholstery to the back canes with the existing mounting screws and washers.

ADJUSTING THE BACK HEIGHT

WARNING

The seat depth, back height/angle, seat angle, size/position of the front casters, size/position of the rear wheels, anti-tipper model, as well as the user condition directly relate to the stability of the wheelchair. Any change to one (1) or any combination of the ten (10) may cause the wheelchair to decrease in stability. These adjustments **MUST** be performed by a qualified technician.

CHANGING REAR WHEELS POSITIONS AND SIZES (Not applicable to some models including Recliners)

WARNINGS

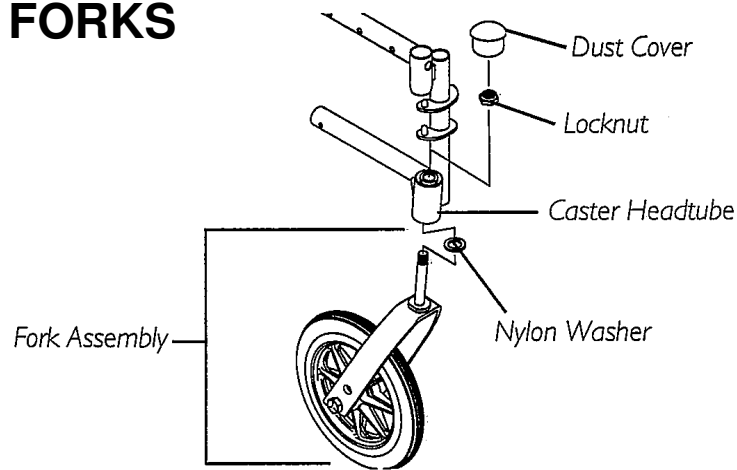
If a change in the SEAT-TO-FLOOR HEIGHT is required, a qualified technician **MUST** be performed this procedure.

Make sure both rear wheels are the same size and are installed into the same respective mounting hole BEFORE using the wheelchair, otherwise injury may occur.

NOTE: Bariatric wheelchairs have threaded axle-mounting hole. The locknut **MUST** first be removed before removing the axle bolt.

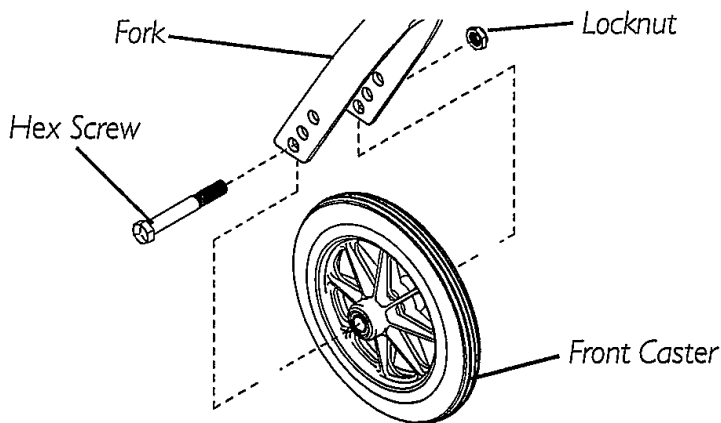
1. Remove the dust cap. Using 2 wrenches remove the axle bolt, spacer and locknut that secure the rear wheel to the wheelchair frame.
2. Repeat STEP 1 for the opposite rear wheel.
3. To reinstall the rear wheel(s) onto the wheelchair, perform one of the following:
 - A. **Standard Lightweight, DX Manual, Recliners and Deluxe/Standard High Strength Lightweight Manual Wheel Chairs:** Reverse Steps 1-2. Torque down locknut to 40 ft/lbs.
 - B. **Bariatric Wheelchairs** reverse STEPS 1-2. Torque hex screw into axle mounting hole to 40 ft/lbs. While preventing axle bolts from turning, torque locknut to 20 ft/lbs.
4. Adjust wheel locks. Refer to **WHEEL LOCK ADJUSTMENT**.

ADJUSTING FORKS



1. To properly tighten caster system and guard against flutter, perform the following check:
 - a. Tip back of wheelchair to floor.
 - b. Pivot both forks and casters to top of their arc simultaneously.
 - c. Let casters drop to bottom of arc (wheels should swing once to one-side, then immediately rest in a straight downward position).
 - d. Adjust locknuts according to freedom of caster swing.
 - e. Repeat STEPS C-D until wheels swing once to one-side.
 - f. Return wheelchair to an upright position.
2. Test wheelchair for maneuverability.
3. Readjust locknuts if necessary, and repeat STEPS 1-2 until correct.
4. Snap dust cover over the locknut and stem.

REPLACING FRONT CASTERS



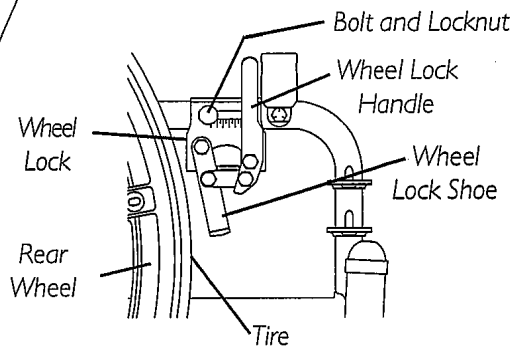
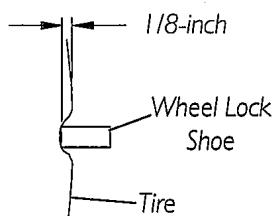
1. Remove the hex screw, washers and locknuts that secure the front caster to the fork.
2. To reinstall the new front caster onto the fork, reverse STEP 1.

WARNING

Make sure both front casters are the same size and are installed into the same respective mounting hole **BEFORE** using the wheelchair, otherwise injury may occur.

WHEEL LOCK ADJUSTMENT

DETAIL "A" - WHEEL LOCK SHOE ENGAGEMENT



WARNING

DO NOT attempt to stop a moving wheelchair with the wheel locks. **WHEEL LOCKS ARE NOT BRAKES.**

1. Disengage the wheel locks.
2. Loosen the bolt and locknut that secure the wheel lock to the wheelchair frame.
3. Reposition the wheel lock so that when engaged, the wheel lock shoe embeds the tire 1/8-inch and **HOLDS** the occupied wheelchair in place when pushed.
4. Securely tighten the bolt and locknut securing the wheel lock to the wheelchair frame.
5. Engage the wheel lock.
6. Measure the distance the wheel lock is embedded into the tire.

NOTE: Any wheel lock adjustment should embed the wheel lock shoe at least 1/8-inch into

the tire when engaged.

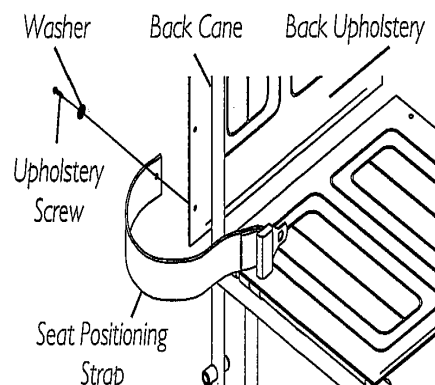
7. Repeat STEPS 1-6 until the wheel lock shoe embeds the tire 1/8-inch and **HOLDS** the occupied wheelchair in place when pushed.
8. Repeat STEPS 1-7 for the opposite wheel lock.
9. If the measurement of 1/8-inch cannot be achieved, contact a qualified technician.

INSTALLING SEAT POSITIONING STRAP

1. Perform one (1) of the following:

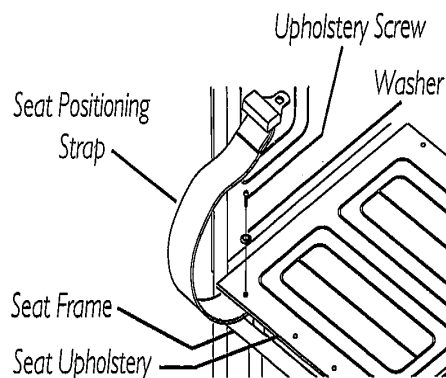
FOR: DX Manual, Standard Lightweight, Reclining and Bariatric Wheelchairs:

Remove the mounting screw and washer securing the bottom back upholstery to the back cane.



FOR: Deluxe/Standard High Strength Lightweight Manual Wheelchairs:

Remove the mounting screw and washer securing the rear seat upholstery to the seat frame.



2. Align half of the seat-positioning strap with the wheelchair and upholstery.
3. Secure the upholstery and seat-positioning strap to the wheelchair with the existing upholstery screw.
4. Repeat STEP 1-3 for the opposite side of the wheelchair.

LIMITED LIFETIME WARRANTY

PMI WARRANTS THIS PRODUCT TO BE FREE FROM DEFECTS IN MATERIALS AND WORKMANSHIP.

PLEASE NOTE: THE WARRANTY BELOW HAS BEEN DRAFTED TO COMPLY WITH FEDERAL LAW APPLICABLE TO PRODUCTS MANUFACTURED AFTER JULY 4, 1999.

THIS WARRANTY IS EXTENDED ONLY TO ORIGINAL PURCHASER/USER OF OUR PRODUCTS.

PMI WARRANTS ITS PRODUCTS TO BE FREE FROM DEFECTS IN MATERIAL AND WORKMANSHIP FOR THE LIFETIME OF USE BY ORIGINAL PURCHASER. IF WITHIN SUCH WARRANTY PERIOD ANY SUCH PRODUCT SHALL BE PROVEN TO BE DEFECTIVE, SUCH PRODUCT SHALL BE REPAIRED OR REPLACED, AT PMI'S OPTION. THIS WARRANTY DOES NOT INCLUDE ANY LABOR OR SHIPPING CHARGES INCURRED IN REPLACEMENT PART INSTALLATION OR REPAIR OF ANY SUCH PRODUCT. PMI'S SOLE OBLIGATION AND YOUR EXCLUSIVE REMEDY UNDER THIS WARRANTY SHALL BE LIMITED TO SUCH REPAIR AND/OR REPLACEMENT. FOR WARRANTY SERVICE, PLEASE CONTACT THE DEALER FROM WHOM YOU PURCHASED YOUR PMI PRODUCT. IN THE EVENT YOU DO NOT RECEIVE SATISFACTORY WARRANTY SERVICE, PLEASE WRITE DIRECTLY TO PMI AT THE ADDRESS ON THE BACK PAGE. PROVIDE DEALER'S NAME, ADDRESS, MODEL NUMBER, DATE OF PURCHASE, INDICATE NATURE OF THE DEFECT AND, IF THE PRODUCT IS SERIALIZED, INDICATE THE SERIAL NUMBER.

PMI WILL USE A RETURN AUTHORIZATION. THE DEFECTIVE UNIT OR PARTS MUST BE RETURNED FOR WARRANTY INSPECTION USING THE SERIAL NUMBER, WHEN APPLICABLE, AS IDENTIFICATION WITHIN 30 DAYS OF RETURN AUTHORIZATION DATE. DO NOT RETURN PRODUCTS TO US WITHOUT PRIOR CONSENT. C.O.D. SHIPMENTS WILL BE REFUSED: PLEASE REPAY SHIPPING CHARGES.

LIMITATIONS AND EXCLUSIONS: THE WARRANTY SHALL NOT APPLY TO PROBLEMS ARISING FROM NORMAL WEAR OR FAIL TO ADHERE TO THE ENCLOSED INSTRUCTIONS. IN ADDITION, THE FOREGOING WARRANTY SHALL NOT APPLY TO SERIAL NUMBERED PRODUCTS IF THE SERIAL NUMBER HAS BEEN REMOVED OR DEFACED; PRODUCTS SUBJECTED TO NEGLIGENCE, ACCIDENT, IMPROPER OPERATION, MAINTENANCE OR STORAGE; OR PRODUCTS MODIFIED WITHOUT PMI'S EXPRESS WRITTEN CONSENT (INCLUDING, BUT NOT LIMITED TO MODIFICATION THROUGH THE USE OF UNAUTHORIZED PARTS OR ATTACHMENTS, PRODUCTS DAMAGED BY REASON OF REPAIRS MADE TO ANY COMPONENT WITHOUT SPECIFIC CONSENT OF PMI; PRODUCTS DAMAGED BY CIRCUMSTANCES BEYOND PMI'S

CONTROL; PRODUCTS REPAIRED BY ANYONE OTHER THAN AN AUTHORIZED PMI DEALERS). SUCH EVALUATION SHALL BE SOLELY DETERMINED BY PMI.

THE FOREGOING WARRANTY IS EXCLUSIVE AND IN LIEU OF ALL OTHER EXPRESS WARRANTIES, IF ANY, INCLUDING THE IMPLIED WARRANTIES OF MERCHANTABILITY AND FITNESS FOR A PARTICULAR PURPOSE, AND SHALL NOT EXTEND BEYOND THE DURATION OF THE EXPRESS WARRANTY PROVIDED HEREIN AND THE REMEDY FOR VIOLATIONS OF ANY IMPLIED WARRANTY SHALL BE LIMITED TO REPAIR OR REPLACEMENT OF THE DEFECTIVE PRODUCT PURSUANT TO THE TERMS CONTAINED HEREIN. PMI SHALL NOT BE LIABLE FOR ANY CONSEQUENTIAL OR INCIDENTAL DAMAGES WHATSOEVER.

THIS WARRANTY SHALL BE EXTENDED TO COMPLY WITH STATE/PROVINCIAL LAWS AND REQUIREMENTS.

ALL PRODUCTS LEAVE OUR WAREHOUSE IN BRAND NEW CONDITION. IT IS THE CUSTOMER'S RESPONSIBILITY TO EXAMINE ALL SHIPMENTS FOR DAMAGE IMMEDIATELY UPON ARRIVAL. COUNT THE PACKAGES AND SIGN FOR SAFE DELIVERY. SIGN ONLY FOR WHAT YOU RECEIVE. IF MERCHANDISE IS DAMAGED CALL CARRIER AND SECURE DAMAGE INSPECTION REPORT YOU HAVE 15 DAYS TO SECURE DAMAGE REPORTS OTHERWISE YOU MAY LOSE YOUR PRIVILEGE OF FILING A CLAIM FOR LOSS OR DAMAGE.

FREIGHT POLICY: PLEASE CONTACT YOUR SALES REPRESENTATIVE FOR DETAILS.

For Service Call Your Authorized **PROBASICS** Medical Dealer:



15 South Main Street
Marlboro, New Jersey 07746
www.pmiusa.biz

WOM-REV 070610

Made in China